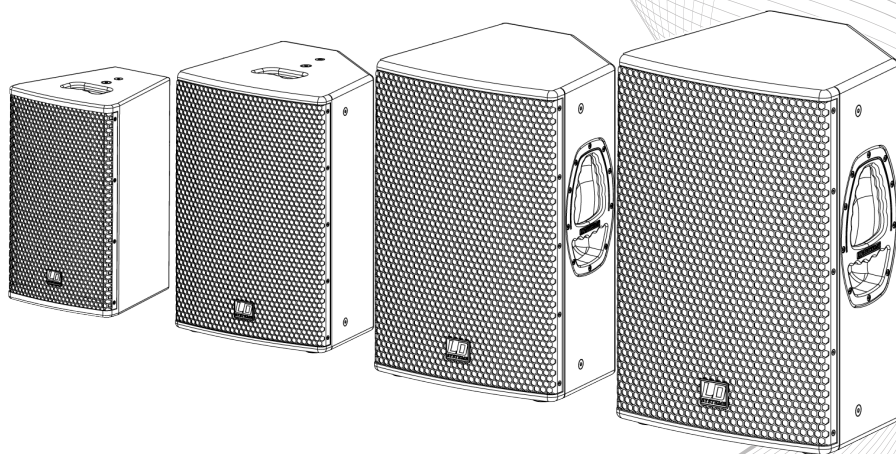


USER'S MANUAL  
BEDIENUNGSANLEITUNG  
MANUEL D'UTILISATION  
MANUAL DE USUARIO  
INSTRUKCJA OBSŁUGI  
MANUALE D' USO



# LD **STINGER G<sup>2</sup>** SERIES

ACTIVE & PASSIVE **SYSTEMS**

LDEB**82**(A)**G<sup>2</sup>** / LDEB**102**(A)**G<sup>2</sup>** / LDEB**122**(A)**G<sup>2</sup>** / LDEB**152**(A)**G<sup>2</sup>**



ENGLISH

DEUTSCH

FRANCAIS

ESPAÑOL

POLSKI

ITALIANO

## Thank you for choosing LD-Systems!

We have designed this product to operate reliably over many years. Therefore LD-Systems guarantees for high quality products with its name and many years of experience as a producer.

Please, take a few moments to read these instructions carefully, as we want you to enjoy your new LD-Systems products quickly and to the fullest.

For information about LD-Systems check out our website [WWW.LD-SYSTEMS.COM](http://WWW.LD-SYSTEMS.COM)

## Introduction

The LD Systems Stinger G<sup>2</sup> Series loudspeakers are designed for professional use.

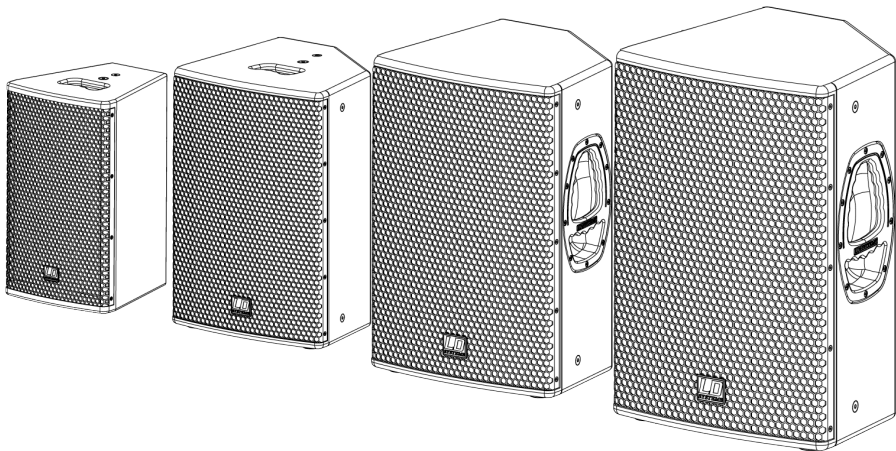
Brilliant sound at high SPL, reliable service and quality components, all at a fair price are the characteristics of the LD Systems Stinger G<sup>2</sup> Series.

This series includes four active two-way loudspeaker cabinets of 8", 10", 12" and 15" size and four passive two-way loudspeaker cabinets of similar size. Application flexibility and reliability make the loudspeakers of LD Systems Stinger G<sup>2</sup> Series the perfect choice for professional sound reinforcement.

# LD **STINGER G<sup>2</sup>** SERIES

ACTIVE & PASSIVE **SYSTEMS**

LDEB**82**(A)**G<sup>2</sup>** / LDEB**102**(A)**G<sup>2</sup>** / LDEB**122**(A)**G<sup>2</sup>** / LDEB**152**(A)



ENGLISH

DEUTSCH

FRANCAIS

ESPAÑOL

POLSKI

ITALIANO



## PREVENTIVE MEASURES:

ENGLISH

1. Please read this information carefully.
2. Keep all information and instructions in a safe place.
3. Please follow the instructions.
4. Please observe all warnings. Don't remove safety instructions or any other information located on the device.
5. Use the device only in the intended manner.
6. Use only stable and appropriate stands and/or mounts when the device is permanently installed. Make certain that wall brackets are firmly secured. Make certain that the unit is installed securely and cannot fall down.
7. When installing please observe the corresponding safety standards for your country.
8. Do not install the device near radiators, heat accumulators, ovens or other sources of heat. Make certain that the device is always installed so that is cooled sufficiently and cannot overheat.
9. Do not place open sources of ignition, e.g., burning candles, on the device.
10. Do not cover ventilation slots.
11. Do not operate the device in the immediate vicinity of water. Do not expose this equipment to combustible materials, liquids or gases.
12. Please make certain that dripping or splashing water cannot get inside the device. Do not put objects filled with fluids, such as vases or drinking vessels, on top of the device.
13. Make certain that objects cannot fall into the device.
14. Use the device only with accessories with which the manufacturer intends the device to be used.
15. CAUTION: If this device has a mains connector equipped with protective earth, it must be connected to a mains socket with a protective ground connection. Never disable the function of the protective ground connection of the included power cord.
16. Do not turn on the device immediately if it was exposed to strong temperature fluctuations (for example after transportation). Moisture and condensation may damage the device. Leave the device switched off until it has reached room temperature.
17. Do not open the device and do not make any changes to the device.
18. Before connecting to mains power, make certain that the mains voltage and the mains frequency are the same as the operating values of the device (see type label). If the device is equipped with a supply voltage selector switch, make certain that the values of the device match the values of the mains power before connecting. If the plug on the included cord does not fit your mains outlet, contact your electrician.
19. Make certain that the power cord is not stepped on. Protect the power cord against pinching, especially at the device plug and the power plug.
20. In order to prevent damage or accidents, for example, due to tripping hazards, check all connections once you have connected the device.
21. When connecting the device, make certain that the power plug remains readily accessible. Always pull out the power plug when the device is not in use or when you clean the device. Disconnect the power cord by pulling the plug not the cable.
22. Avoid switching the device on and off at short intervals, because it may shorten the durability of the device.
23. IMPORTANT: Replace fuse only by fuse of same type and rating! If fuse blows repeatedly please contact authorized service center!
24. In order to disconnect the device completely from the mains voltage, the power plug must be unplugged.
25. If your device is equipped with a Volex power connector, the matching Volex device plug must be unlocked in order to disconnect it. This also means that a tug on the power cord can pull the device out of place, thus causing personal injuries and/or property damage. Thus please make certain to route your cables carefully.

DEUTSCH

FRANCAIS

ESPAÑOL

POLSKI

ITALIANO

## PREVENTIVE MEASURES:

26. If there is a risk of lightning strike or during extended periods of disuse, unplug the power plug.
27. During transport, make certain that the equipment being transported cannot fall down and possibly cause personal injuries and/or property damage.
28. If your device no longer works properly, if it has been exposed to liquids or an object has fallen inside it or if it has been damaged in some other manner, turn the device off immediately and unplug the power plug. This device should be repaired only by authorized experts.
29. Use only a dry cloth to clean the device.
30. Comply with all of the disposal laws that are applicable in your country. During disposal, please separate plastic and paper/cardboard.
31. Plastic bags must be kept out of the reach of children.



### CAUTION:

To reduce the risk of electric shock, do not remove cover (or back). No user serviceable parts inside. Refer servicing to qualified personnel.



The lightning flash with arrowhead symbol within an equilateral triangle is intended to alert the user to the presence of uninsulated “dangerous voltage” within the product’s enclosure that may be of sufficient magnitude to constitute a risk to persons.



The exclamation mark within an equilateral triangle is intended to alert the user to the presence of important operating and maintenance (servicing) instructions in the literature accompanying the appliance.

### CAUTION! HIGH VOLUME!

You will operate this transmission system for professional use. Therefore the commercial use of this equipment is liable to the rules and regulations of the Accident Prevention & Insurance Association of your industry sector. Adam Hall as a manufacturer is bound to inform you formally about the existence of eventual sanitary risks.

Risk of hearing damage due to prolonged exposure to excessive volumes: The loudspeaker is easily capable of generating sound pressure levels (SPL) sufficient to cause permanent hearing damage to performers, production crew and audience members. Caution should be taken to avoid prolonged exposure SPL in excess of 90 dB.

# ACTIVE BACKPANEL:

LDEB82AG<sup>2</sup>  
LDEB102AG<sup>2</sup> (shown)

ENGLISH

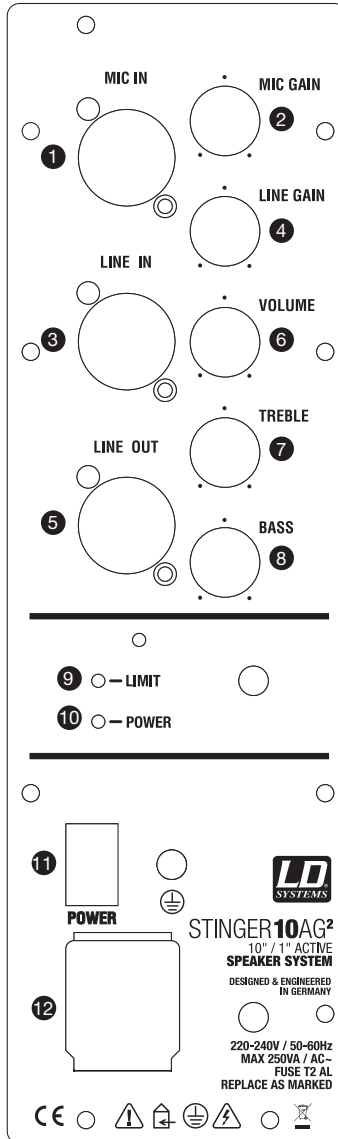
DEUTSCH

FRANCAIS

ESPAÑOL

POLSKI

ITALIANO



## ACTIVE SYSTEMS FEATURES:

- 1 **MIC IN**  
Balanced microphone input XLR/6.3 mm jack (combo).
- 2 **MIC GAIN**  
Gain control for microphone input.
- 3 **LINE IN**  
Balanced line input XLR/6.3 mm jack (combo).
- 4 **LINE GAIN**  
Gain control for line input.
- 5 **LINE OUT**  
Balanced XLR output which allows you to connect another active loudspeaker or mixer. Signal mix of MIC IN and LINE IN.
- 6 **VOLUME**  
Master volume control of the loudspeaker cabinet.
- 7 **TREBLE**  
Turn left to decrease high frequencies. Turn right to increase high frequencies.
- 8 **BASS**  
Turn left to decrease low frequencies. Turn right to increase low frequencies.
- 9 **LIMIT LED**  
Lights up when the loudspeaker is operated at its limit. Short-term blinking of the LED is not critical. If the limiter LED lights up longer than a brief moment or permanently (= over-driving the system), reduce the volume of the connected signal source. Non-compliance will lead to unpleasant and distorted sound and may cause malfunction of the speaker system.
- 10 **POWER LED**  
Lights up when power is switched on and mains cable is connected correctly.

- 11 **POWER SWITCH**

Before switching power on, all level controls should be set to minimum.

- 12 **MAINS SOCKET (VOLEX POWER PLUG)**

AC connection via IEC connector (220 - 240V AC). A power cord with a lockable Volex connector is supplied with this unit.

**IMPORTANT: Replace fuse only by fuse of same type and rating! If fuse blows repeatedly please contact authorized service center!**

ENGLISH

DEUTSCH

FRANCAIS

ESPAÑOL

POLSKI

ITALIANO

# ACTIVE BACKPANEL:

ENGLISH

DEUTSCH

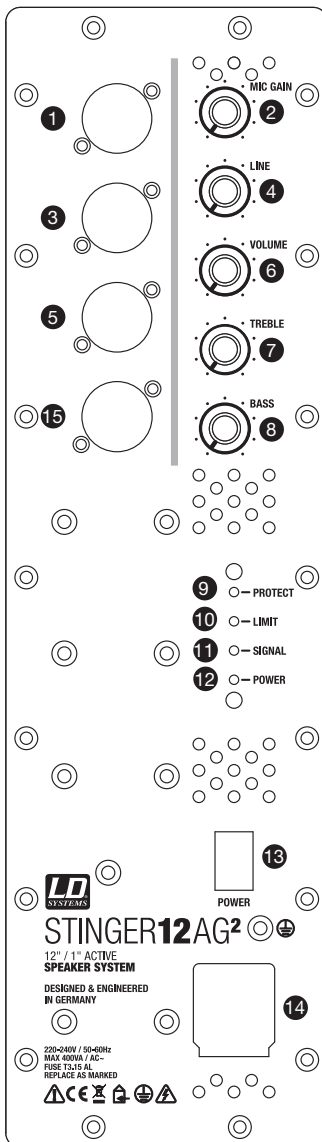
FRANCAIS

ESPAÑOL

POLSKI

ITALIANO

**LDEB122AG<sup>2</sup> (shown)**  
**LDEB152AG<sup>2</sup>**





## ACTIVE SYSTEMS FEATURES:

- 1 MIC IN**  
Balanced microphone input XLR/6.3 mm jack (combo).
- 2 MIC GAIN**  
Gain control for microphone input.
- 3 LINE IN**  
Balanced line input XLR/6.3 mm jack (combo).
- 4 LINE GAIN**  
Gain control for line input.
- 5 LINE OUT**  
Balanced XLR output which allows you to connect another active loudspeaker or mixer. Signal mix of MIC IN and LINE IN.
- 6 VOLUME**  
Master volume control of the loudspeaker cabinet.
- 7 TREBLE**  
Turn left to decrease high frequencies. Turn right to increase high frequencies.
- 8 BASS**  
Turn left to decrease low frequencies. Turn right to increase low frequencies.
- 9 PROTECT LED**  
Lights up in case of unit overload/overheating. Amplifier switches to mute automatically. The unit will return to operation mode under normal conditions after a few minutes.
- 10 LIMIT LED**  
Lights up when the loudspeaker is operated at it's limit. Short-term blinking of the LED is not critical. If the limiter LED lights up longer than a brief moment or permanently (= over-driving the system), reduce the volume of the connected signal source. Non-compliance will lead to unpleasant and distorted sound and may cause malfunction of the speaker system.
- 11 SIGNAL LED**  
Lights up when the unit receives an audio signal.
- 12 POWER LED**  
Lights up when power is switched on and mains cable is connected correctly.
- 13 POWER SWITCH**  
Before switching power on, all level controls should be set to minimum.
- 14 MAINS SOCKET (VOLEX POWER PLUG)**  
AC connection via IEC connector (220 - 240V AC). A power cord with a lockable Volex connector is supplied with this unit.  
**IMPORTANT: Replace fuse only by fuse of same type and rating! If fuse blows repeatedly please contact authorized service center!**
- 15 SPEAKER OUT**  
Powered Speakon compatible output which allows you to connect a passive 8 Ohm speaker cabinet, for example LDEB122G<sup>2</sup> or LDEB152G<sup>2</sup>.

ENGLISH

DEUTSCH

FRANCAIS

ESPAÑOL

POLSKI

ITALIANO

# ACTIVE SPECIFICATIONS:

ITALIANO

POLSKI

ESPAÑOL

FRANCAIS

DEUTSCH

ENGLISH

	LDEB82AG2	LDEB102AG2	LDEB122AG2	LDEB152AG2
Product sort:	PA Loudspeaker	PA Loudspeaker	PA Loudspeaker	PA Loudspeaker
Type:	Active	Active	Active	Active
Woofer Size:	" 8	10	12	15
Woofer Size:	mm 203,2	254	304,8	381
Woofer Magnet:	Ferrit	Ferrit	Ferrit	Ferrit
Woofer Brand:	Custom Made	Custom Made	Custom Made	Custom Made
Woofer Voice Coil:	" 2	2	2,5	3
Woofer Voice Coil:	mm 50,8	50,8	63,5	70,6
Horn:	CD Horn	CD Horn	CD Horn	CD Horn
HF Driver Size:	" 1	1	1	1
HF Driver Size:	mm 25,4	25,4	25,4	25,4
HF Driver Magnet:	Ferrit	Ferrit	Ferrit	Ferrit
HF Driver Brand:	BMS	BMS	BMS	BMS
HF Driver Voice Coil:	" 1	1	1	1
HF Driver Voice Coil:	mm 25,4	25,4	25,4	25,4
Amplification:	Class D, ICEpower 50ASX2	Class D, ICEpower 50ASX2	Class D, Hypex Ucd400	Class D, Hypex Ucd400
Dispersion (H x V):	° 100 x 55	100 x 55	100 x 55	100 x 55
Power (RMS):	W 170	170	400	400
Power (Peak):	W 340	340	800	800
Frequency Range:	Hz 70 - 19.000	65 - 19.000	58 - 19.000	50 - 19.000
Crossover Frequency:	Hz 2.200	2.400	1.800	1.800
Max SPL Continuous:	dB 116	117	118	120

Max. SPL Peak:	dB	129	130	132	134
Protection:		Tweeter, short circuit, over voltage	Tweeter, short circuit, over voltage	Tweeter, over current, over voltage	Tweeter, over current, over voltage
Controls:		Mic Gain, Line Gain, Volume, Treble, Bass, Power	Mic Gain, Line Gain, Volume, Treble, Bass, Power	Mic Gain, Line Gain, Volume, Treble, Bass, Power	Mic Gain, Line Gain, Volume, Treble, Bass, Power
Indicators:		Limit, Power	Limit, Power	Protect, Limit, Signal, Power	Protect, Limit, Signal, Power
Input Connector Line:		XLR/jack (combo)	XLR/jack (combo)	XLR/jack (combo)	XLR/jack (combo)
Input Connector Mic:		XLR/jack (combo)	XLR/jack (combo)	XLR/jack (combo)	XLR/jack (combo)
Output Connector Line:		XLR	XLR	XLR	XLR
Output Connector Speaker:		-	-	Speakon compatible / 8 Ohm	Speakon compatible / 8 Ohm
Power Supply:		220-240 V AC	220-240 V AC	220-240 V AC	220-240 V AC
Cabinet Material:		15 mm plywood	15 mm plywood	15 mm plywood	15 mm plywood
Cabinet Surface:		Structure coating	Structure coating	Structure coating	Structure coating
Cabinet Design:		Bassreflex	Bassreflex	Bassreflex	Bassreflex
Monitor Angle:	°	-	54°	54°	54°
Dimensions (W x H x D):	mm	270 x 450 x 290	320 x 500 x 290	390 x 570 x 370	480 x 650 x 460
Weight:	kg	11	12,7	21	28,5
Features:		ergonomic milled handles, M10 threaded flange for SuperClamp, Aluminium stand support 36 mm	ergonomic milled handles, M10 threaded flange for SuperClamp, Aluminium stand support 36 mm	LD Systems Evolutive handles, SM707 stands support 36 mm, 6x M8 rigging point	LD Systems Evolutive handles, SM707 stands support 36 mm, 6x M8 rigging point

Since all our products are constantly controlled and improved, technical changes are possible without prior notice.

ITALIANO

POLSKI

ESPAÑOL

FRANCAIS

DEUTSCH

ENGLISH



## PASSIVE BACKPANEL:

ENGLISH

LDEB82G<sup>2</sup>  
LDEB102G<sup>2</sup>  
LDEB122G<sup>2</sup> (shown)  
LDEB152G<sup>2</sup>

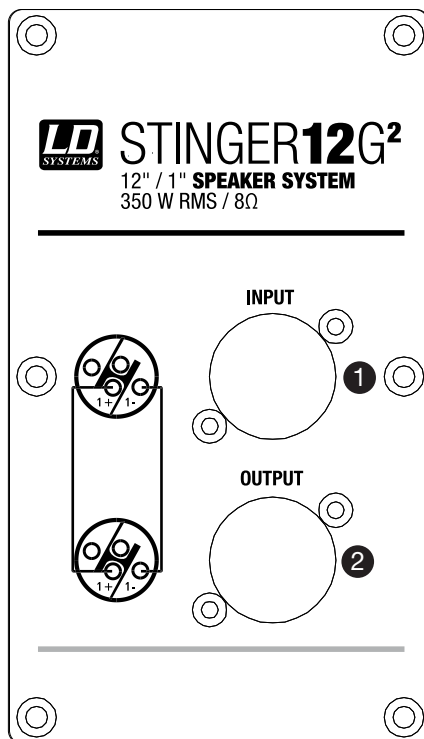
DEUTSCH

FRANCAIS

ESPAÑOL

POLSKI

ITALIANO



## PASSIVE BACKPANEL:

**1 INPUT**

Speakon compatible input.

**2 OUTPUT**

Speakon compatible output (parallel wired with Speakon compatible input 1+/-)

ENGLISH

DEUTSCH

FRANCAIS

ESPAÑOL

POLSKI

ITALIANO

# PASSIVE SPECIFICATIONS:

ITALIANO

POLSKI

ESPAÑOL

FRANCAIS

DEUTSCH

ENGLISH

	LDEB82G2	LDEB102G2	LDEB122G2	LDEB152G2
Product sort:	PA Loudspeaker	PA Loudspeaker	PA Loudspeaker	PA Loudspeaker
Type:	Passive	Passive	Passive	Passive
Woofer Size:	" 8	10	12	15
Woofer Size:	mm 203,2	254	304,8	381
Woofer Magnet:	Ferrit	Ferrit	Ferrit	Ferrit
Woofer Brand:	Custom Made	Custom Made	Custom Made	Custom Made
Woofer Voice Coil:	" 2	2	2,5	3
Woofer Voice Coil:	mm 50,8	50,8	63,5	70,6
Horn:	CD Horn	CD Horn	CD Horn	CD Horn
HF Driver Size:	" 1	1	1	1
HF Driver Size:	mm 25,4	25,4	25,4	25,4
HF Driver Magnet:	Ferrit	Ferrit	Ferrit	Ferrit
HF Driver Brand:	BMS	BMS	BMS	BMS
HF Driver Voice Coil:	" 1	1	1	1
HF Driver Voice Coil:	mm 25,4	25,4	25,4	25,4
Dispersion (H x V):	° 100 x 55	100 x 55	100 x 55	100 x 55
Power (RMS):	W 200	250	350	500
Power (Peak):	W 400	500	700	1.000
Frequency Range:	Hz 70 - 19.000	65 - 19.000	58 - 19.000	50 - 19.000
Crossover Frequency:	Hz 2.200	2.400	1.800	1.800
SPL (1 W / 1 m):	db 95	96	99	100

Max SPL Continuous:	dB	118	120	125	127
Impedance:	Ohm	8	8	8	8
Protection:		Tweeter	Tweeter	Tweeter	Tweeter
Input Connector Speaker:		Speakon compatible			
Output Connector Speaker:					
Cabinet Material:		15 mm plywood	15 mm plywood	15 mm plywood	15 mm plywood
Cabinet Surface:		Structure coating	Structure coating	Structure coating	Structure coating
Cabinet Design:		Bassreflex	Bassreflex	Bassreflex	Bassreflex
Monitor Angle:	°	-	54°	54°	54°
Dimensions (W x H x D):	mm	270 x 450 x 290	320 x 500 x 290	390 x 570 x 370	480 x 650 x 460
Weight:	kg	10 kg	11,5 kg	19 kg	25,5 kg
Features:		ergonomic milled handles, M10 threaded flange for SuperClamp, Aluminium stand support 36 mm	ergonomic milled handles, M10 threaded flange for SuperClamp, Aluminium stand support 36 mm	LD Systems Evolutive handles, SM707 stands support 36 mm, 6x M8 rigging point	LD Systems Evolutive handles, SM707 stands support 36 mm, 6x M8 rigging point
Since all our products are constantly controlled and improved, technical changes are possible without prior notice.					

ENGLISH

DEUTSCH

FRANCAIS

ESPAÑOL

POLSKI

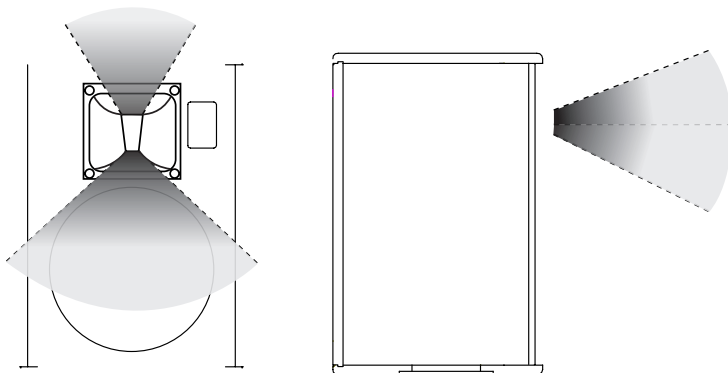
ITALIANO

## HORN CONFIGURATION:

ENGLISH

For LDEB102(A)G<sup>2</sup>, LDEB122(A)G<sup>2</sup>, LDEB152(A)G<sup>2</sup>

### FRONT OF HOUSE CONFIGURATION

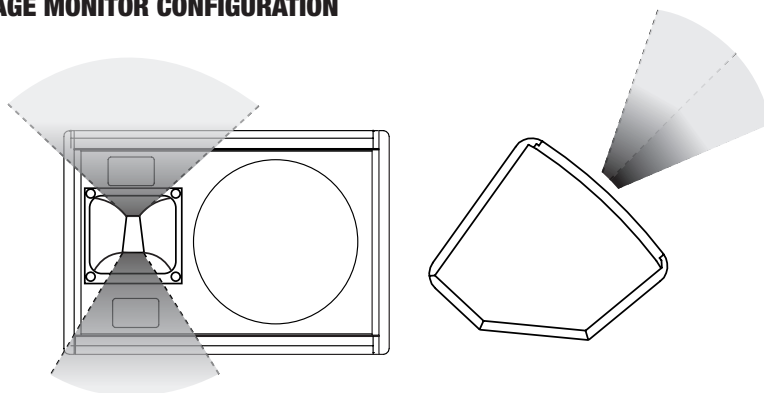


DEUTSCH

FRANCAIS

ESPAÑOL

### STAGE MONITOR CONFIGURATION



POLSKI

ITALIANO

For Front of House configuration the narrow opening of the HF horn has to point downwards.

For stage monitor configuration the HF horn has to be turned by 90 degrees, narrow opening pointing upwards.

Remove the front grille and loosen the 4 screws of the HF horn. Turn the HF horn by 90 degrees and tighten the 4 screws. Then remount the front grille.



## ACCESSORIES:

### FLYWARE COMPONENTS

We recommend the Adam Hall Universal Hook Clamp SCP710B + SS018 for LDEB82(A)G<sup>2</sup> and LDEB102(A)G<sup>2</sup>. LDEB122(A)G<sup>2</sup> and LDEB152(A)G<sup>2</sup> are equipped with 6 x M8 rigging points each. We recommend the LD Premium Screw Eye M8 LDVSE for installation.

LDEB82(A)G<sup>2</sup> and LDEB102(A)G<sup>2</sup>



**LDDEB82G2B / LDDEB102G2B**  
Protective Cover



**LDDEB82G2WB / LDDEB102G2WB**  
Wall mounting Bracket



**SCP710B**  
Hook Clamp with Toggle



**SS018**  
16mm bolt M10

ENGLISH

DEUTSCH

FRANCAIS

ESPAÑOL

POLSKI

ITALIANO

## ACCESSORIES:

ENGLISH

LDEB122(A)G<sup>2</sup> and LDEB152(A)G<sup>2</sup>



**LDEB122G2B / LDEB152G2B**  
Protective Cover

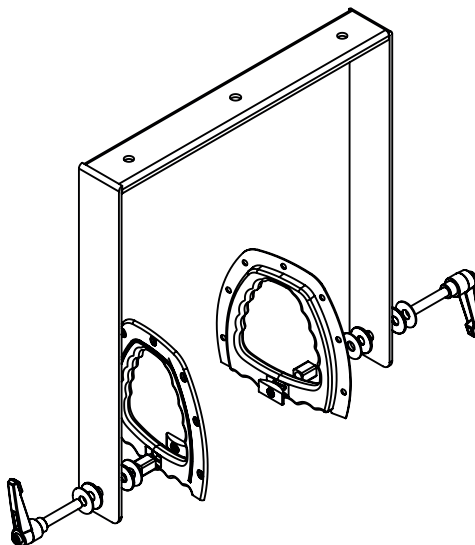
DEUTSCH

FRANCAIS

ESPAÑOL

POLSKI

ITALIANO



**LDEB122G2SB / LDEB152G2SB**  
Swing Bracket

# UNIVERSAL ACCESSORIES:



**SMBS5**  
Wall mounting Plate



**SPS023S / SPS023**  
Speaker stand



**SPS023SET**  
2x Speaker stands with bag

**SPS023SET2**  
2x Speaker stands with bag and 2x  
Speakon compatible Cables

ENGLISH

DEUTSCH

FRANCAIS

ESPAÑOL

POLSKI

ITALIANO

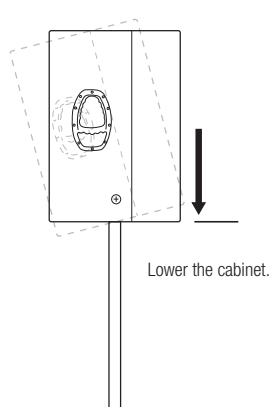
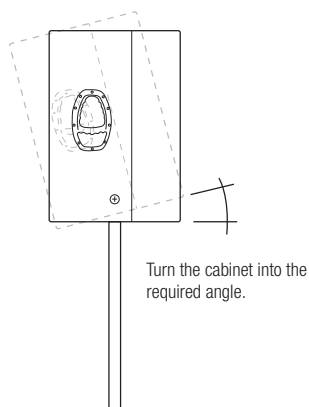
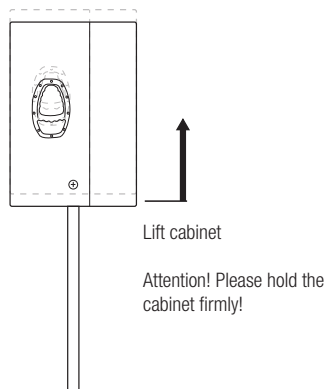
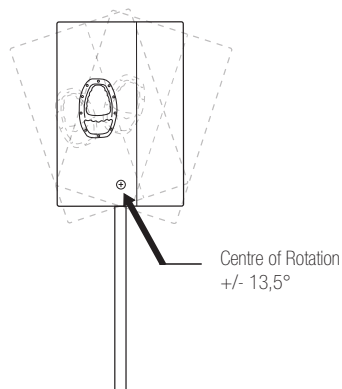
## INSTALLATION & PLACEMENT:

ENGLISH

### SM707 SPEAKER STAND FLANGE ADJUSTMENT (LDEB122(A)G<sup>2</sup> and LDEB152(A)G<sup>2</sup> ONLY)

The integrated, patented speaker stand flange SM707 offers unparalleled possibilities for angle adjustments. The SM707 provides angles of +/- 13,5 degrees in 4.5° steps.

Lift the cabinet slightly and carefully from the latching mechanism (approximately 1/2 cm), turn into desired angle and lower the cabinet.



DEUTSCH

FRANCAIS

ESPAÑOL

POLSKI

ITALIANO



## MANUFACTURER'S DECLARATIONS:

### LIMITED WARRANTY

This Limited Warranty applies to the Adam Hall, LD Systems, LD Premium, Defender, Palmer, Cameo and Eminence branded products.

The statutory warranty rights towards the seller are not affected by this guarantee. In fact, it justifies, additional independent warranty claims towards Adam Hall.

Adam Hall warrants that the Adam Hall product you have purchased from Adam Hall or from an Adam Hall authorized reseller is free from defects in materials or workmanship under normal use for a period of 2 or 5 years from the date of purchase.

The Limited Warranty Period starts on the date of purchase. In order to receive warranty services you are required to provide proof of the purchase date. Your dated sales or delivery receipt, showing the date of purchase, is your proof of the purchase date. Should products of the brands named above be in need of repair within the limited warranty period, you are entitled to warranty services according to the terms and conditions stated in this document.

This Limited Warranty extends only to the original purchaser of this Adam Hall branded product and is not transferable to anyone who obtains ownership of the Adam Hall branded product from the original purchaser. During the Limited Warranty Period, Adam Hall will repair or replace the defective component parts or the product. All component parts or hardware products removed under this Limited Warranty become the property of Adam Hall.

In the unlikely event that your Adam Hall product has a recurring failure, Adam Hall, at its discretion, may elect to provide you with a replacement unit of Adam Hall's choice that is at least equivalent to your Adam Hall branded product in hardware performance.

Adam Hall does not warrant that the operation of this product will be uninterrupted or error-free. Adam Hall is not responsible for damage that occurs as a result of your failure to follow the instructions included with the Adam Hall branded product.

This Limited Warranty does not apply,

- to wear parts (e.g. accumulator)
- to any product from which the serial number has been removed or that has been damaged or rendered defective as the result of an accident
- in case of, misuse, abuse, or other external causes
- by operation outside the usage parameters stated in the user's documentation shipped with the product by use of spare parts not manufactured or sold by Adam Hall
- by modification or service by anyone other than Adam Hall

These terms and conditions constitute the complete and exclusive warranty agreement between you and Adam Hall regarding the Adam Hall branded product you have purchased.

ENGLISH

DEUTSCH

FRANCAIS

ESPAÑOL

POLSKI

ITALIANO



## MANUFACTURER'S DECLARATIONS:

ENGLISH

### LIMITATION OF LIABILITY

If your Adam Hall branded hardware product fails to work as warranted above, your sole and exclusive remedy shall be repair or replacement. Adam Hall's maximum liability under this limited warranty is expressly limited to the lesser of the price you have paid for the product or the cost of repair or replacement of any hardware components that malfunction in conditions of normal use.

Adam Hall is not liable for any damages caused by the product or the failure of the product, including any lost profits or savings or special, incidental, or consequential damages. Adam Hall is not liable for any claim made by a third party or made by you for a third party.

This limitation of liability applies whether damages are sought, or claims are made, under this Limited Warranty or as a tort claim (including negligence and strict product liability), a contract claim, or any other claim. This limitation of liability cannot be waived or amended by any person. This limitation of liability will be effective even if you have advised Adam Hall of an authorized representative of Adam Hall of the possibility of any such damages. This limitation of liability however, will not apply to claims for personal injury.

This Limited Warranty gives you specific legal rights. You may also have other rights that may vary from state to state or from country to country. You are advised to consult applicable state or country laws for a full determination of your rights.

### REQUESTING WARRANTY-SERVICE

To request warranty service for the product, contact Adam Hall or the Adam Hall authorized reseller from which you purchased the product.

### EC DECLARATION OF CONFORMITY

These devices meet the essential requirements and further relevant specifications of Directives 2004/108/EC (EMC) and 2006/95/EC (LVD). For more information, see [www.adamhall.com](http://www.adamhall.com).

### CORRECT DISPOSAL OF THIS PRODUCT (ELECTRICAL WASTE)

(Applicable in the European Union and other European countries with separate collection systems)

This marking shown on the product or its literature, indicates that it should not be disposed with other household wastes at the end of its working life. To prevent possible harm to the environment or human health from uncontrolled waste disposal, please separate this from other types of wastes and recycle it responsibly to promote the sustainable reuse of material resources.

Household users should contact either the retailer where they purchased this product, or their local government office, for details on where and how they can recycle this item in an environmentally friendly manner.

Business users should contact their supplier and check the terms and conditions of the purchase contract. This product should not be mixed with other commercial wastes for disposal.

DEUTSCH

FRANCAIS

ESPAÑOL

POLSKI

ITALIANO

## WEEE-DECLARATION

Your LD-Systems product was developed and manufactured with high quality materials and components which can be recycled and/or reused. This symbol indicates that electrical and electronic equipment must be disposed of separately from normal waste at the end of its operational lifetime.

Please dispose of this product by bringing it to your local collection point or recycling centre for such equipment. This will help to protect the environment in which we all live.

## BATTERIES AND ACCUMULATORS

The supplied batteries or rechargeable batteries can be recycled. Please dispose of them as special waste or return them to your specialist dealer. In order to protect the environment, only dispose exhausted batteries.

## ECOLOGY AND ENERGY SAVING

Saving electric energy helps to protect the environment. Please turn off all electrical equipment when it is not in use. To avoid power consumption in idle mode, disconnect all electrical equipment from mains when not in use.

Adam Hall GmbH, all rights reserved. The technical data and the functional product characteristics can be subject to modifications. The photocopying, the translation, and all other forms of copying of fragments or of the integrity of this user's manual is prohibited.

ENGLISH

DEUTSCH

FRANCAIS

ESPAÑOL

POLSKI

ITALIANO

## Sie haben die richtige Wahl getroffen!

Diese LD-Systems Produkte werden Sie lange Jahre durch Zuverlässigkeit, Wirtschaftlichkeit und einfaches Handling überzeugen. Dafür garantiert LD-Systems mit seinem Namen und seiner in vielen Jahren erworbenen Kompetenz als Hersteller hochwertiger Geräte.

Nehmen Sie sich nun ein paar Minuten Zeit, diese Anleitung zu lesen. Wir möchten, dass Sie einfach und schnell in den Genuss dieser Technik kommen.

Mehr Informationen zu LD-SYSTEMS finden Sie auf unserer Internetseite [WWW.LD-SYSTEMS.COM](http://WWW.LD-SYSTEMS.COM)

## Einführung

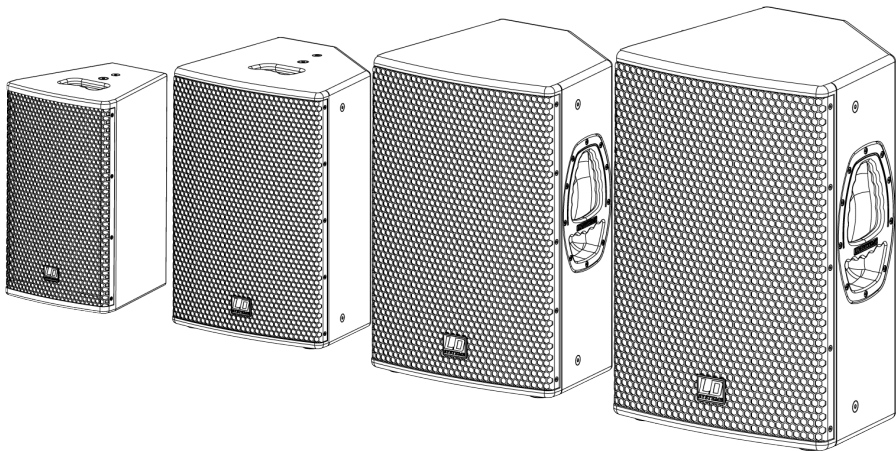
Die Lautsprecher der LD Systems Stinger G<sup>2</sup> Serie sind für den professionellen Einsatz konzipiert. Brillanter Sound bei hohen Schalldruckpegeln sowie eine hervorragende Zuverlässigkeit und hohe Komponentenqualität: Das alles bekommen Sie bei der Stinger G<sup>2</sup> Serie von LD-Systems zu einem fairen Preis.

Die Serie besteht aus vier aktiven 2-Wege-Lautsprecherboxen in den Größen 8“, 10“, 12“ und 15“ sowie vier passiven 2-Wege-Lautsprechern in den gleichen Größen. Dank ihrer flexiblen Anwendungsmöglichkeiten und der hohen Zuverlässigkeit eignet sich die LD Systems Stinger G<sup>2</sup> Serie perfekt für professionelle Beschallungsaufgaben.



# LD **STINGER G<sup>2</sup>**SERIE

AKTIVE & PASSIVE **SYSTEME**



ENGLISH

DEUTSCH

FRANCAIS

ESPAÑOL

POLSKI

ITALIANO

## SICHERHEITSHINWEISE:

ENGLISH

DEUTSCH

FRANCAIS

ESPAÑOL

POLSKI

ITALIANO

1. Lesen Sie diese Anleitung bitte sorgfältig durch.
  2. Bewahren Sie alle Informationen und Anleitungen an einem sicheren Ort auf.
  3. Befolgen Sie die Anweisungen.
  4. Beachten Sie alle Warnhinweise. Entfernen Sie keine Sicherheitshinweise oder andere Informationen vom Gerät.
  5. Verwenden Sie das Gerät nur in der vorgesehenen Art und Weise.
  6. Verwenden Sie ausschließlich stabile und passende Stative bzw. Befestigungen (bei Festinstallationen). Stellen Sie sicher, dass Wandhalterungen ordnungsgemäß installiert und gesichert sind. Stellen Sie sicher, dass das Gerät sicher installiert ist und nicht herunterfallen kann.
  7. Beachten Sie bei der Installation die für Ihr Land geltenden Sicherheitsvorschriften.
  8. Installieren und betreiben Sie das Gerät nicht in der Nähe von Heizkörpern, Wärmespeichern, Öfen oder sonstigen Wärmequellen. Sorgen Sie dafür, dass das Gerät immer so installiert ist, dass es ausreichend gekühlt wird und nicht überhitzen kann.
  9. Platzieren Sie keine Zündquellen wie z. B. brennende Kerzen auf dem Gerät.
  10. Die Lüftungsschlitze dürfen nicht blockiert werden
  11. Betreiben Sie das Gerät nicht in unmittelbarer Nähe von Wasser. Bringen Sie das Gerät nicht mit brennbaren Materialien, Flüssigkeiten oder Gasen in Berührung.
  12. Sorgen Sie dafür, dass kein Tropf- oder Spritzwasser in das Gerät eindringt. Stellen Sie keine mit Flüssigkeit gefüllten Behältnisse wie Vasen oder Trinkgefäße auf das Gerät.
  13. Sorgen Sie dafür, dass keine Gegenstände in das Gerät fallen können.
  14. Betreiben Sie das Gerät nur mit dem vom Hersteller empfohlenen und vorgesehenen Zubehör.
  15. **ACHTUNG:** Wenn das Stromkabel des Geräts mit einem Schutzkontakt ausgestattet ist, muss es an einer Steckdose mit Schutzleiter angeschlossen werden. Deaktivieren Sie niemals den Schutzleiter des mitgelieferten Kaltgerätekabels.
  16. Schalten Sie das Gerät nicht sofort ein, wenn es starken Temperaturschwankungen ausgesetzt war (beispielsweise nach dem Transport). Feuchtigkeit und Kondensat könnten das Gerät beschädigen. Schalten Sie das Gerät erst ein, wenn es Zimmertemperatur erreicht hat.
  17. Öffnen Sie das Gerät nicht und verändern Sie es nicht.
  18. Bevor Sie das Gerät an die Steckdose anschließen, prüfen Sie zuerst, ob die Spannung und die Frequenz des Stromnetzes mit den auf dem Gerät angegebenen Werten übereinstimmen. Verfügt das Gerät über einen Spannungswahlschalter, schließen Sie das Gerät nur an die Steckdose an, wenn die Geräterwerte mit den Werten des Stromnetzes übereinstimmen.
- Wenn das mitgelieferte Netzkabel nicht in Ihre Netzsteckdose passt, wenden Sie sich an Ihren Elektriker.
19. Treten Sie nicht auf das Kaltgerätekabel. Sorgen Sie dafür, dass das Kaltgerätekabel speziell an der Netz- und der Gerätebuchse nicht geknickt wird.
  20. Überprüfen Sie nach dem Anschluss des Geräts alle Kabelwege, um Schäden oder Unfälle, z. B. durch Stolperfallen zu vermeiden.
  21. Achten Sie bei der Verkabelung des Geräts immer darauf, dass das Netzkabel stets frei zugänglich ist. Ziehen Sie immer den Netzstecker, wenn das Gerät nicht benutzt wird, oder Sie das Gerät reinigen möchten. Ziehen Sie das Kaltgerätekabel immer am Stecker und nicht am Kabel aus der Steckdose.
  22. Schalten Sie das Gerät möglichst nicht schnell hintereinander ein und aus, da sonst die Lebensdauer des Geräts beeinträchtigt werden könnte.
  23. **WICHTIGER HINWEIS:** Ersetzen Sie die Sicherung ausschließlich durch eine Sicherung des gleichen Typs

## SICHERHEITSHINWEISE:

und mit gleichen Werten. Sollte die Sicherung wiederholt auslösen, wenden Sie sich bitte an ein autorisiertes Servicezentrum.

24. Um das Gerät vollständig vom Stromnetz zu trennen, entfernen Sie das Netzkabel.

25. Wenn Ihr Gerät mit einem Volex-Netzanschluss bestückt ist, muss der passende Volex-Gerätestecker entsperrt werden, bevor er entfernt werden kann. Das bedeutet aber auch, dass das Gerät durch eine Ziehen am Kaltgerätekabel verrutschen kann, wodurch Personen verletzt werden und/oder andere Schäden auftreten können. Verlegen Sie Ihre Kabel daher immer sorgfältig.

26. Entfernen Sie das Netzkabel bei Gefahr eines Blitzschlags oder wenn Sie das Gerät länger nicht verwenden.

27. Achten Sie beim Transport darauf, dass das Gerät nicht herunterfallen und dabei möglicherweise Sach- und Personenschäden verursachen kann.

28. Wenn Ihr Gerät nicht mehr ordnungsgemäß funktioniert, Flüssigkeiten oder Gegenstände in das Geräteinnere gelangt sind oder das Gerät anderweitig beschädigt wurde, schalten Sie es sofort aus und ziehen Sie den Stecker. Dieses Gerät darf nur von autorisiertem Fachpersonal repariert werden.

29. Verwenden Sie zur Reinigung des Geräts ein trockenes Tuch.

30. Beachten Sie alle in Ihrem Land geltenden Entsorgungsgesetze. Trennen Sie bei der Entsorgung bitte Kunststoff und Papier bzw. Kartonagen voneinander.

31. Kunststoffbeutel müssen außer Reichweite von Kindern aufbewahrt werden.



### ACHTUNG:

Entfernen Sie niemals die Abdeckung, da sonst das Risiko eines elektrischen Schlages besteht. Im Inneren des Geräts befinden sich keine Teile, die vom Bediener repariert oder gewartet werden können. Lassen Sie Reparaturen ausschließlich von qualifiziertem Service-Personal durchführen.



Das gleichschenkelige Dreieck mit dem Blitzsymbol kennzeichnet nicht-isolierte, „gefährliche“ Spannungen im Gerät, die einen für die Gesundheit gefährlichen Stromschlag verursachen können.



Das gleichschenkelige Dreieck mit dem Ausrufezeichen kennzeichnet wichtige Bedienungs- und Wartungshinweise

### ACHTUNG! HOHE LAUTSTÄRKEN!

Dieses Gerät ist für den professionellen Einsatz vorgesehen. Der kommerzielle Betrieb dieses Geräts unterliegt den jeweils gültigen nationalen Vorschriften und Richtlinien zur Unfallverhütung. Als Hersteller ist Adam Hall gesetzlich verpflichtet, Sie ausdrücklich auf mögliche Gesundheitsrisiken hinzuweisen.

Gehörschäden und Dauerbelastung durch hohe Lautstärken: Dieser Lautsprecher kann hohe Schalldruckpegel (SPL) erzeugen, die bei Künstlern, Mitarbeitern und Zuschauern zu irreparablen Gehörschäden führen können. Vermeiden Sie länger anhaltende Belastung durch hohe Lautstärken über 90 dB.

# AKTIVE SYSTEME BEDIEN-/ANSCHLUSSFELD:

**LDEB82AG<sup>2</sup>**  
**LDEB102AG<sup>2</sup>** (siehe Abbildung)

ENGLISH

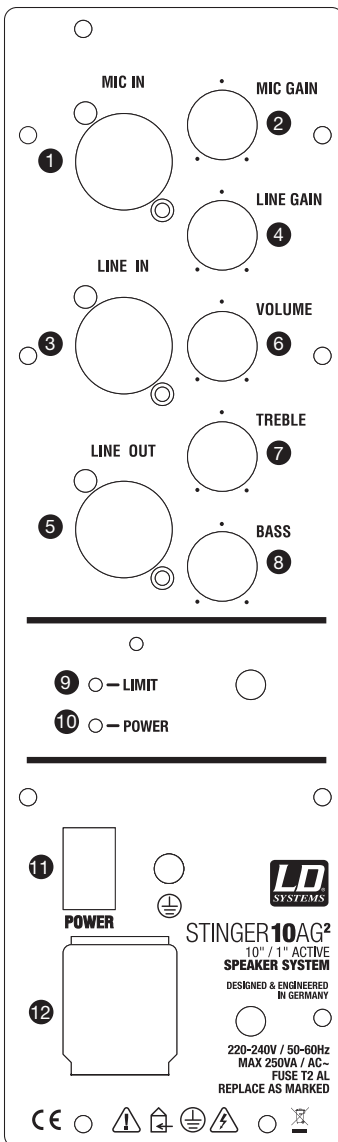
DEUTSCH

FRANCAIS

ESPAÑOL

POLSKI

ITALIANO



## AKTIVE SYSTEME - MERKMALE:

- 1 MIC IN**  
Symmetrischer Mikrofoneingang, XLR/6,3-mm-Combo-Buchse
- 2 MIC GAIN**  
Gain-Regler für Mikrofoneingang
- 3 LINE IN**  
Symmetrischer Line-Eingang, XLR/6,3-mm-Combo-Buchse
- 4 LINE GAIN**  
Gain-Regler für Line-Eingang
- 5 LINE OUT**  
Symmetrischer XLR-Ausgang zum Anschluss eines weiteren aktiven Lautsprechers oder Mischpults. Das Ausgangssignal enthält Anteile der an MIC IN und LINE IN anliegenden Signalen.
- 6 VOLUME**  
Gesamtlautstärkeregler der Lautsprecherbox
- 7 TREBLE**  
Drehen Sie den Regler nach links, um hohe Frequenzen abzusenken. Drehen Sie den Regler nach rechts, um hohe Frequenzen anzuheben.
- 8 BASS**  
Drehen Sie den Regler nach links, um tiefe Frequenzen abzusenken. Drehen Sie den Regler nach rechts, um niedrige Frequenzen anzuheben.
- 9 LIMIT-LED**  
Die LED leuchtet auf, wenn der Lautsprecher im Grenzbereich betrieben wird. Ein kurzes Aufleuchten der LED ist unkritisch. Leuchtet die Limiter-LED länger oder sogar dauerhaft (das System wird überlastet), reduzieren Sie den Pegel der angeschlossenen Audioquelle. Eine Nichtbeachtung führt zu einer unangenehmen, verzerrten Klangwiedergabe und möglicherweise zur Beschädigung des Lautsprechersystems.
- 10 POWER-LED**  
Leuchtet, wenn das Gerät eingeschaltet und das Stromkabel richtig angeschlossen ist.
- 11 NETZSCHALTER**  
Drehen Sie vor dem Einschalten alle Lautstärkeregler herunter.
- 12 NETZBUCHSE (VOLEX-NETZSTECKER)**  
Wechselstrom-Anschluss mit IEC-Anschluss (220 - 240V AC).  
Ein Kaltgerätekabel mit verriegelbarem Volex-Stecker liegt dem Gerät bei.  
**WICHTIGER HINWEIS: Ersetzen Sie die Sicherung ausschließlich durch eine Sicherung des gleichen Typs und mit gleichen Werten. Sollte die Sicherung wiederholt auslösen, wenden Sie sich bitte an einen autorisiertes Servicezentrum.**

# AKTIVE SYSTEME BEDIEN-/ANSCHLUSSFELD:

**LDEB122AG<sup>2</sup> (siehe Abbildung)**  
**LDEB152AG<sup>2</sup>**

ENGLISH

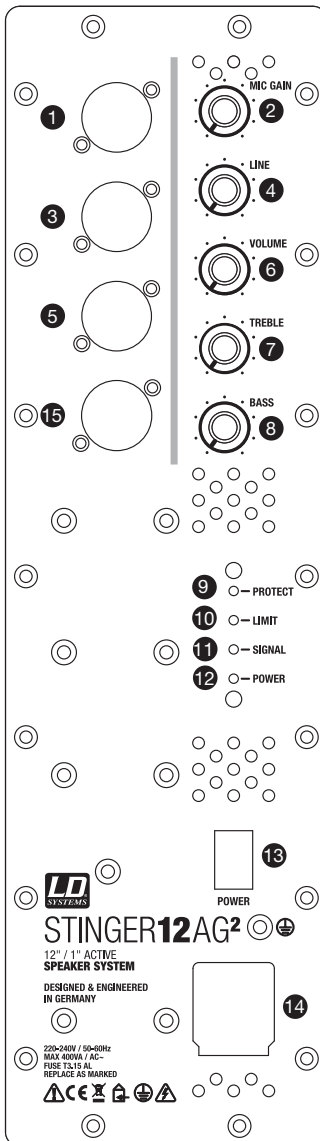
DEUTSCH

FRANCAIS

ESPAÑOL

POLSKI

ITALIANO



## AKTIVE SYSTEME - MERKMALE:

- 1 MIC IN**  
Symmetrischer Mikrofoneingang, XLR/6,3-mm-Combo-Buchse
- 2 MIC GAIN**  
Gain-Regler für Mikrofoneingang
- 3 LINE IN**  
Symmetrischer Line-Eingang, XLR/6,3-mm-Combo-Buchse
- 4 LINE GAIN**  
Gain-Regler für Line-Eingang
- 5 LINE OUT**  
Symmetrischer XLR-Ausgang zum Anschluss eines weiteren aktiven Lautsprechers oder eines Mischpults. Das Ausgangssignal enthält Anteile der an MIC IN und LINE IN anliegenden Signalen.
- 6 VOLUME**  
Gesamtlautstärkeregler der Lautsprecherbox
- 7 TREBLE**  
Drehen Sie den Regler nach links, um hohe Frequenzen abzusenken. Drehen Sie den Regler nach rechts, um hohe Frequenzen anzuheben.
- 8 BASS**  
Drehen Sie den Regler nach links, um tiefe Frequenzen abzusenken. Drehen Sie den Regler nach rechts, um niedrige Frequenzen anzuheben.
- 9 PROTECT-LED**  
Leuchtet auf, falls das System, überlastet/überhitzt.  
Der Verstärker wird automatisch stummgeschaltet. Das Gerät wechselt nach Erreichen normaler Betriebsbedingungen nach einigen Minuten wieder in den normalen Betriebsmodus.
- 10 LIMIT-LED**  
Die LED leuchtet auf, wenn der Lautsprecher im Grenzbereich betrieben wird. Ein kurzes Aufleuchten der LED ist unkritisch.  
Leuchtet die Limiter-LED länger oder sogar dauerhaft (das System wird überlastet), reduzieren Sie den Pegel der angeschlossenen Audioquelle. Eine Nichtbeachtung führt zu einer unangenehmen, verzerrten Klangwiedergabe und möglicherweise zur Beschädigung des Lautsprechersystems.
- 11 SIGNAL-LED**  
Leuchtet, wenn am Subwoofer ein Audiosignal anliegt.
- 12 POWER-LED**  
Leuchtet, wenn das Gerät eingeschaltet und das Stromkabel richtig angeschlossen ist.
- 13 NETZSCHALTER**  
Drehen Sie vor dem Einschalten alle Lautstärkeregler herunter.
- 14 NETZBUCHSE (VOLEX-NETZSTECKER)**  
Wechselstrom-Anschluss mit IEC-Anschluss (220 - 240V AC).  
Ein Kaltgerätekabel mit verriegelbarem Volex-Stecker liegt dem Gerät bei.  
**WICHTIGER HINWEIS: Ersetzen Sie die Sicherung ausschließlich durch eine Sicherung des gleichen Typs und mit gleichen Werten. Sollte die Sicherung wiederholt auslösen, wenden Sie sich bitte an einen autorisiertes Servicezentrum.**
- 15 SPEAKER OUT**  
Aktiver Speakon-kompatibeler Ausgang zum Anschluss einer passiven 8-Ohm-Lautsprecherbox wie z. B. LDEB122G<sup>2</sup> oder LDEB152G<sup>2</sup>.

## AKTIVE SYSTEME SPEZIFIKATIONEN:

ITALIANO

POLSKI

ESPAÑOL

FRANCAIS

DEUTSCH

ENGLISH

	LDEB82AG2	LDEB102AG2	LDEB122AG2	LDEB152AG2
Produktart:	PA Lautsprecher	PA Lautsprecher	PA Lautsprecher	PA Lautsprecher
Typ:	Aktiv	Aktiv	Aktiv	Aktiv
Größe Tieftöner:	" 8	10	12	15
Größe Tieftöner:	mm 203,2	254	304,8	381
Magnet Tieftöner:	Ferrit	Ferrit	Ferrit	Ferrit
Marke Tieftöner:	Custom-Modell	Custom-Modell	Custom-Modell	Custom-Modell
Schwingspule Tieftöner:	" 2	2	2,5	3
Schwingspule Tieftöner:	mm 50,8	50,8	63,5	70,6
Horn:	CD-Horn	CD-Horn	CD-Horn	CD-Horn
Größe HF Treiber:	" 1	1	1	1
Größe HF Treiber:	mm 25,4	25,4	25,4	25,4
Magnet HF Treiber:	Ferrit	Ferrit	Ferrit	Ferrit
Marke HF Treiber:	BMS	BMS	BMS	BMS
Schwingspule HF Treiber:	" 1	1	1	1
Schwingspule HF Treiber:	mm 25,4	25,4	25,4	25,4
Verstärker:	Class D, ICEpower 50ASX2	Class D, ICEpower 50ASX2	Class D, Hypex Ucd400	Class D, Hypex Ucd400
Abstrahlwinkel (H x V):	° 100 x 55	100 x 55	100 x 55	100 x 55
Ausgangsleistung (RMS):	W 170	170	400	400
Leistung (Peak):	W 340	340	800	800
Frequenzbereich:	Hz 70 - 19.000	65 - 19.000	58 - 19.000	50 - 19.000
Übernahmefrequenz	Hz 2.200	2.400	1.800	1.800
Max. Dauerschalldruck:	dB 116	117	118	120



Max. Schalldruck (Peak):	dB	129	130	132	134
Schutzschaltungen:		Hochtöner, Kurzschluss, Überspannung	Hochtöner, Kurzschluss, Überspannung	Hochtöner, Kurzschluss, Überspannung	Hochtöner, Kurzschluss, Überspannung
Bedienelemente:		Mic Gain, Line Gain, Volume, Treble, Bass, Power	Mic Gain, Line Gain, Volume, Treble, Bass, Power	Mic Gain, Line Gain, Volume, Treble, Bass, Power	Mic Gain, Line Gain, Volume, Treble, Bass, Power
Anzeigeelemente:		Limit, Power	Limit, Power	Protect, Limit, Signal, Power	Protect, Limit, Signal, Power
Line-Eingang:		XLR/Klinke (Combo)	XLR/Klinke (Combo)	XLR/Klinke (Combo)	XLR/Klinke (Combo)
Mikrofoneingang:		XLR/Klinke (Combo)	XLR/Klinke (Combo)	XLR/Klinke (Combo)	XLR/Klinke (Combo)
Line-Ausgang:		XLR	XLR	XLR	XLR
Lautsprecherausgang:		-	-	Speakon-kompatibel / 8 Ohm	Speakon-kompatibel / 8 Ohm
Stromversorgung:		220-240 V AC	220-240 V AC	220-240 V AC	220-240 V AC
Gehäusematerial:		15 mm Sperrholz	15 mm Sperrholz	15 mm Sperrholz	15 mm Sperrholz
Gehäuseoberfläche:		Strukturlack	Strukturlack	Strukturlack	Strukturlack
Gehäusebauart:		Bassreflex	Bassreflex	Bassreflex	Bassreflex
Monitorwinkel:	°	-	54°	54°	54°
Abmessungen (B x H x T):	mm	270 x 450 x 290	320 x 500 x 290	390 x 570 x 370	480 x 650 x 460
Gewicht:	kg	11	12,7	21	28,5
Merkmale:		Ergonomische Griffschalen, M10 Gewinde für SuperClamp, Aluminium Hochständerflansch 36 mm	Ergonomische Griffschalen, M10 Gewinde für SuperClamp, Aluminium Hochständerflansch 36 mm	LD Systems Evolutionäre Griffen, SM707 Flansch 36 mm, 6x M8 Flugpunkte	LD Systems Evolutionäre Griffen, SM707 Flansch 36 mm, 6x M8 Flugpunkte

Da all unsere Produkte ständig geprüft und verbessert werden, können technische Änderungen ohne vorherige Ankündigung vorgenommen werden.

ITALIANO

POLSKI

ESPAÑOL

FRANÇAIS

DEUTSCH

ENGLISH

# PASSIVE SYSTEME BEDIEN-/ANSCHLUSSFELD:

ENGLISH

LDEB82G<sup>2</sup>  
 LDEB102G<sup>2</sup>  
 LDEB122G<sup>2</sup> (siehe Abbildung)  
 LDEB152G<sup>2</sup>

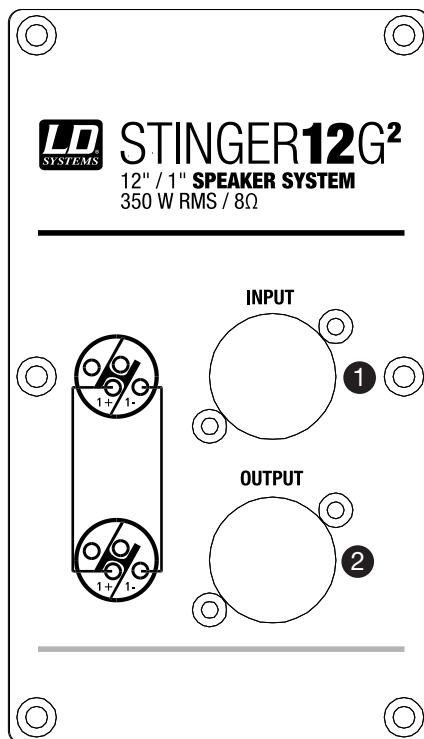
DEUTSCH

FRANCAIS

ESPAÑOL

POLSKI

ITALIANO



## PASSIVE SYSTEME RÜCKSEITIGES

**1 INPUT**

Speakon-kompatibler Eingang

**2 OUTPUT**

Speakon-kompatibler Ausgang (parallel geschaltet mit Speakon-kompatiblem Eingang 1+/1-)

ENGLISH

DEUTSCH

FRANCAIS

ESPAÑOL

POLSKI

ITALIANO

# PASSIVE SYSTEME SPEZIFIKATIONEN:

ITALIANO

POLSKI

ESPAÑOL

FRANCAIS

DEUTSCH

ENGLISH

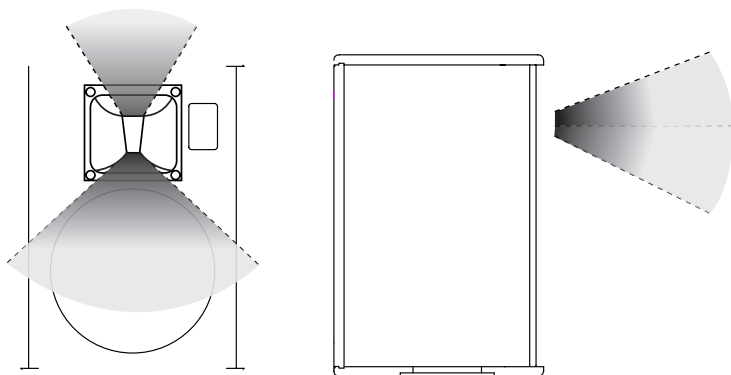
	LDEB82G2	LDEB102G2	LDEB122G2	LDEB152G2
Produktart:	PA Lautsprecher	PA Lautsprecher	PA Lautsprecher	PA Lautsprecher
Typ:	Passiv	Passiv	Passiv	Passiv
Größe Tieftöner:	" 8	10	12	15
Größe Hochtöner:	mm 203,2	254	304,8	381
Magnet Tieftöner:	Ferrit	Ferrit	Ferrit	Ferrit
Marke Tieftöner:	Custom-Modell	Custom-Modell	Custom-Modell	Custom-Modell
Schwingspule Tieftöner:	" 2	2	2,5	3
Schwingspule Hochtöner:	mm 50,8	50,8	63,5	70,6
Horn:	CD-Horn	CD-Horn	CD-Horn	CD-Horn
Größe HF Treiber:	" 1	1	1	1
Größe HF Treiber:	mm 25,4	25,4	25,4	25,4
Magnet HF Treiber:	Ferrit	Ferrit	Ferrit	Ferrit
Marke HF Treiber:	BMS	BMS	BMS	BMS
Schwingspule HF Treiber:	" 1	1	1	1
Schwingspule HF Treiber:	mm 25,4	25,4	25,4	25,4
Abstrahlwinkel (H x V):	° 100 x 55	100 x 55	100 x 55	100 x 55
Ausgangsleistung (RMS):	W 200	250	350	500
Leistung (Peak):	W 400	500	700	1.000
Frequenzbereich:	Hz 70 - 19.000	65 - 19.000	58 - 19.000	50 - 19.000

Übernahmefrequenz:	Hz	2.200	2.400	1.800	1.800
Schalldruck (1 W / 1 m):	dB	95	96	99	100
Max. Dauerschalldruck:	dB	118	120	125	127
Impedanz:	Ohm	8	8	8	8
Schutzschaltungen:		Hochtöner	Hochtöner	Hochtöner	Hochtöner
Lautsprecherzugang:		Speakon-kompatibel			
Lautsprecherzugang:					
Gehäusematerial:		15 mm Sperrholz	15 mm Sperrholz	15 mm Sperrholz	15 mm Sperrholz
Gehäuseoberfläche:		Strukturlack	Strukturlack	Strukturlack	Strukturlack
Gehäusebauart:		Bassreflex	Bassreflex	Bassreflex	Bassreflex
Monitorwinkel:	°	-	54°	54°	54°
Abmessungen (B x H x T):	mm	270 x 450 x 290	320 x 500 x 290	390 x 570 x 370	480 x 650 x 460
Gewicht:	kg	10 kg	11,5 kg	19 kg	25,5 kg
Merkmale:		Ergonomische Griffschalen, M10 Gewinde für SuperClamp, Aluminium Hochständerflansch 36 mm	Ergonomische Griffschalen, M10 Gewinde für SuperClamp, Aluminium Hochständerflansch 36 mm	LD Systems Evolutive Griffe, SM707 Flansch 36 mm, 6x M8 Flugpunkte	LD Systems Evolutive Griffe, SM707 Flansch 36 mm, 6x M8 Flugpunkte
Da all unsere Produkte ständig geprüft und verbessert werden, können technische Änderungen ohne vorherige Ankündigung vorgenommen werden.					

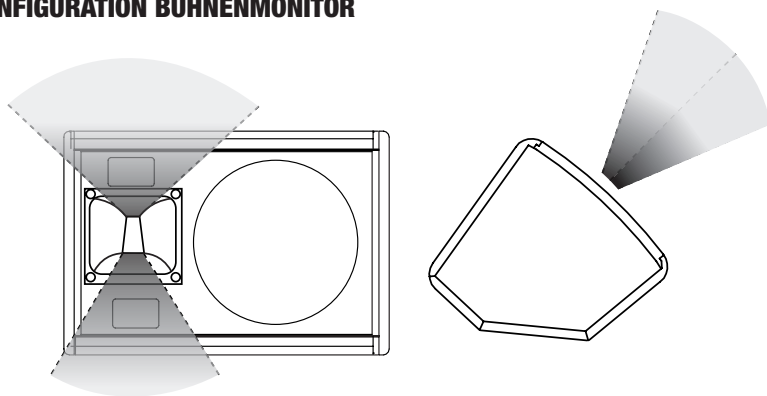
## HORN KONFIGURATION:

LDEB102(A)G<sup>2</sup>, LDEB122(A)G<sup>2</sup>, LDEB152(A)G<sup>2</sup>

### KONFIGURATION FRONT OF HOUSE



### KONFIGURATION BÜHNENMONITOR



Für die Anwendung Front of House muss die schmalere Seite der HF-Horn-Öffnung nach unten zeigen.

Für den Einsatz als Bühnenmonitor muss das Horn um 90° gedreht werden, sodass die schmalere Seite der Öffnung nach oben zeigt.

Entfernen Sie dazu das Frontgitter und lösen Sie die vier Befestigungsschrauben des HF Horns. Drehen Sie das HF Horn um 90 Grad und ziehen Sie die vier Schrauben wieder fest. Bringen Sie nun das Frontgitter wieder an.

## INSTALLATION & MONTAGE:

### FLYWARE-KOMPONENTEN

Für die Box LDEB82(A)G<sup>2</sup> und die Box LDEB102(A)G<sup>2</sup> empfehlen wir die Universalhakenklammer SCP710B + SS018.  
Die Modelle LDEB122(A)G<sup>2</sup> und LDEB152(A)G<sup>2</sup> sind mit je 6 x M8 Flugpunkten ausgestattet.  
Für die Installation empfehlen wir LD Premium LDVSE M8 Schraubösen.

LDEB82(A)G<sup>2</sup> und LDEB102(A)G<sup>2</sup>



**LDEB82G2B / LDEB102G2B**  
Schutzhülle



**LDEB82G2WB / LDEB102G2WB**  
Wandhalterung



**SCP710B**  
Universalhaken mit Knebel



**SS018**  
Bolzen M10 (16 mm)

ENGLISH

DEUTSCH

FRANCAIS

ESPAÑOL

POLSKI

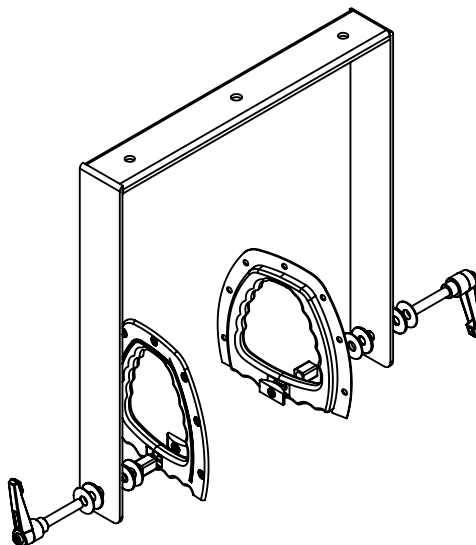
ITALIANO

## ZUBEHÖR:

LDEB122(A)G<sup>2</sup> und LDEB152(A)G<sup>2</sup>



**LDEB122G2B / LDEB152G2B**  
Schutzhülle



**LDEB122G2SB / LDEB152G2SB**  
Schwenkbügel



## UNIVERSAL-ZUBEHÖR:



**SMBS5**  
Wandmontageplatte



**SPS023S / SPS023**  
Boxenständer



**SPS023SET**  
2 Boxenständer mit Tasche

**SPS023SET2**  
2 Boxenständer mit Tasche und 2  
Speakon-kompatiblen Kabeln

## INSTALLATION & MONTAGE:

ENGLISH

DEUTSCH

FRANCAIS

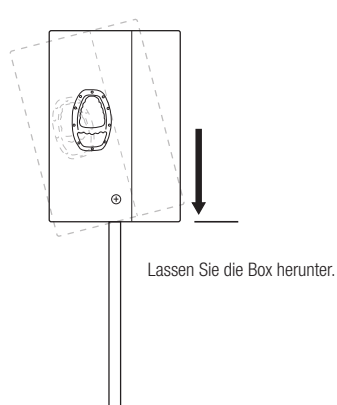
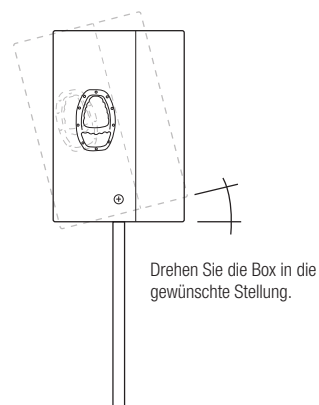
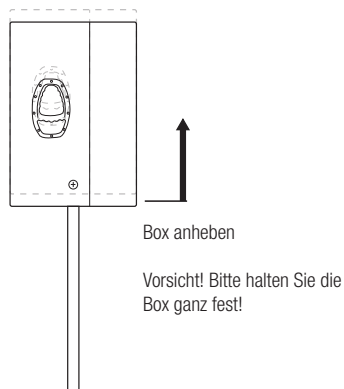
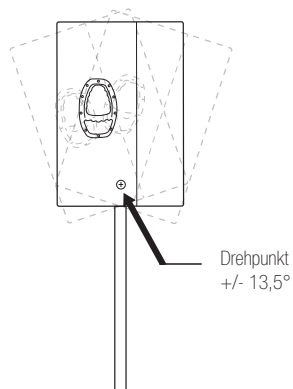
ESPAÑOL

POLSKI

ITALIANO

### EINSTELLUNG SM707 BOXENSTATIV-FLANSCH (NUR LDEB122(A)G<sup>2</sup> und LDEB152(A)G<sup>2</sup>)

Der integrierte patentierte Boxenstativ-Flansch SM707 lässt sich extrem flexibel einstellen. Mit dem SM707 sind Neigungswinkel zwischen + und - 13,5 Grad in 4,5°Schritten möglich. Heben Sie die Box vorsichtig ein Stück (ca. 0,5 cm) an, um den Sperrmechanismus zu entriegeln, drehen Sie die Box dann in die gewünschte Stellung und lassen Sie sie wieder herunter.



### GARANTIEBESTIMMUNGEN

Diese Garantie erstreckt sich auf die Marken Adam Hall, LD Systems, LD Premium, Defender, Palmer, Cameo und Eminence.

Die gesetzlichen Gewährleistungsrechte gegenüber dem Verkäufer werden von dieser Garantie nicht berührt. Vielmehr begründet diese Garantie zusätzliche selbständige Ansprüche gegenüber Adam Hall.

Mit dieser Garantie stellt Adam Hall sicher, dass das von Ihnen bei Adam Hall oder einem Adam Hall Partner erworbene Produkt bei normalem Gebrauch während des Zeitraums von 2 bzw. 5 Jahren ab Kaufdatum frei von Material- oder Verarbeitungsfehlern ist.

Der Garantiezeitraum beginnt mit dem Datum des Kaufs.

Der Geltendmachung eines Anspruchs auf Garantieleistungen erforderliche Nachweis des Kaufdatums, erfolgt durch die mit dem Kaufdatum versehene Quittung oder den mit dem Kaufdatum versehenen Lieferschein. Sie haben Anspruch auf den Garantieservice zu den in diesem Dokument aufgeführten Bedingungen und Bestimmungen, falls eine Reparatur der unter den oben genannten Marken vertriebenen Produkte innerhalb des Garantiezeitraums erforderlich ist.

Diese Garantie gilt nur für den ursprünglichen Käufer des von Adam Hall vertriebenen Produkts und ist nicht an Personen übertragbar, denen vom ursprünglichen Käufer das Eigentum am Adam Hall Produkt übertragen wird. Innerhalb des Garantiezeitraums werden die fehlerhaften Komponenten oder das Produkt von Adam Hall repariert oder ersetzt. Alle im Rahmen dieser Garantie entfernten Komponenten und Hardware-Produkte gehen in das Eigentum von Adam Hall über.

Im dem unwahrscheinlichen Fall, dass bei dem von Ihnen erworbenen Adam Hall Produkt ein Fehler wiederholt auftritt, kann Adam Hall nach eigenem Ermessen entscheiden, Ihnen dieses Produkt durch ein vergleichbares Produkt mit mindestens derselben Leistung zu ersetzen.

Adam Hall übernimmt keine Garantie für einen störungs- oder fehlerfreien Betrieb dieses Produkts. Adam Hall übernimmt keine Verantwortung für auf eine inkorrekte Befolgung der im Lieferumfang des Adam Hall enthaltenen Anweisungen zurückzuführenden Schäden.

Diese Garantie erstreckt sich nicht auf

- Verschleißteile (z.B. Akkumulator).
- Geräte deren Seriennummer entfernt wurde oder die beschädigt oder fehlerhaft wurden als Folge eines Unfalls.
- nicht sachgerechter oder missbräuchlicher Verwendung oder anderer missbräuchlicher Verwendung oder anderer äußerer Ursachen.
- Geräte die nicht entsprechend den Betriebsparametern betrieben wurden, die in den im Lieferumfang des Produkts enthaltenen Benutzerunterlagen festgelegt sind.
- Geräte die aufgrund der Verwendung nicht von Adam Hall hergestellter oder vertriebener Teile repariert wurden.
- Geräte die durch Änderung oder Wartung durch jemand anderen als Adam Hall getätigt wurde.

## HERSTELLERERKLÄRUNGEN:

ENGLISH

Diese Bestimmungen und Bedingungen stellen die vollständige und ausschließliche Garantievereinbarung zwischen Ihnen und Adam Hall für das von Ihnen erworbene Adam Hall Produkt dar.

### HAFTUNGSBESCHRÄNKUNG

Wenn das unter der Marke Adam Hall vertriebene Produkt nicht entsprechend der obigen Garantie funktioniert, besteht Ihr alleiniger und ausschließlicher Anspruch aus dieser Garantie in der Reparatur oder dem Ersatz. Weitergehende Gewährleistungsansprüche bleiben hiervon unberührt. Die maximale Haftung von Adam Hall im Rahmen dieser Garantie ist ausdrücklich beschränkt auf den jeweils niedrigeren Betrag, der sich entweder aus dem Kaufpreis für das Produkt oder aus den Reparatur- bzw. Ersatzkosten von Hardware-Komponenten, die bei normalem Gebrauch nicht Ordnungsgemäß funktionieren, ergibt.

Adam Hall haftet aus dieser Garantie nicht für durch das Produkt oder sein versagen verursachte Schäden, einschließlich entgangener Gewinne, unterbliebener Einsparungen oder besonderer, indirekter oder Folgeschäden. Adam Hall haftet zudem nicht für von Dritten oder von ihnen für Dritte geltend gemachte Ansprüche.

Diese Haftungsbeschränkung gilt unabhängig davon, ob Schäden gerichtlich verfolgt werden, ob Schadenersatzansprüche im Rahmen dieser Garantie oder aufgrund unerlaubter Handlungen (Einschließlich Fahrlässigkeit und Gefährdungshaftung) oder aufgrund vertraglicher bzw. sonstiger Ansprüche gestellt werden. Diese Haftungsbeschränkung kann von keiner Person aufgehoben oder ergänzt werden. Diese Haftungsbeschränkung gilt auch dann, wenn sie Adam Hall über die Möglichkeit derartiger Schäden informiert haben. Sie gilt jedoch nicht für Ansprüche aus Personenschäden.

Aus dieser Garantie ergeben sich für Sie bestimmte Rechte. Möglicherweise haben Sie weitere Rechte, die Ihnen von Staat zu Staat und von Land zu Land unterschiedlich sein können. Es ist ratsam, die entsprechenden Gesetze des Staates bzw. Landes heranzuziehen, um Ihre Rechte umfassend zu ermitteln.

### INANSPRUCHNAHME DES REPARATURSERVICE

Um den Garantieservice bzw. Reparaturservice für das Produkt in Anspruch zu nehmen, wenden Sie sich bitte an Adam Hall oder an einen Adam Hall Partner, bei dem Sie das Produkt erworben haben.

### KORREKTE ENTSORGUNG DIESES PRODUKTES

(Gültig in der Europäischen Union)

Dieses Symbol (entweder auf dem Gerät oder dem dazugehörigen Handbuch) weist darauf hin, dass das Gerät nicht mit dem normalen Hausmüll entsorgt werden darf. Um mögliche Schäden an der Umwelt und an Personen zu verhindern, entsorgen Sie dieses Gerät bitte fachgerecht bei einer entsprechenden Stelle für Elektromüll.

Als Privatkunde Informieren Sie sich bitte beim Hersteller oder bei Ihrer Gemeinde über die Möglichkeiten der korrekten Entsorgung.

Als Geschäftskunde kontaktieren Sie bitte Ihren Lieferanten und prüfen Sie die Konditionen zur Entsorgung der Geräte. Dieses Produkt sollte nicht mit anderem gewerblichen Abfall entsorgt werden.

DEUTSCH

FRANCAIS

ESPAÑOL

POLSKI

ITALIANO

## WEEE-DEKLARATION

Ihr LD-Systems Produkt wurde unter der Verwendung hochwertiger Materialien und Komponenten die wiederverwertet oder wieder verwendet werden können hergestellt. Dieses Symbol weist darauf hin, dass elektronische Geräte nicht im normalen Hausmüll entsorgt werden dürfen. Entsorgen Sie dieses Gerät bitte fachgerecht bei einer entsprechenden Stelle für Elektromüll und helfen Sie dabei unsere Umwelt zu schützen.

## BATTERIEN UND AKKUS

Die mitgelieferten Batterien können wiederverwertet werden. Werfen Sie die Batterien daher nicht in den normalen Hausmüll sondern in gesonderte dafür vorgesehene Container. Helfen Sie, unsere Umwelt sauber zu halten.

## UMWELTSCHUTZ UND ENERGIESPAREN

Energiesparen ist ein aktiver Beitrag zum Umweltschutz. Schalten Sie bitte alle nicht benötigten elektrischen Geräte aus. Um zu verhindern, dass nicht benötigte Geräte im Standby-Modus Strom verbrauchen, ziehen Sie den Netzstecker.

Adam Hall GmbH, alle Rechte vorbehalten. Die technischen Daten und die funktionalen Produkteigenschaften können Änderungen und Irrtümer vorbehalten. Das Kopieren, die Übersetzung, und alle anderen Formen des Kopierens von Fragmenten oder der Vollständigkeit dieser Bedienungsanleitung ist untersagt.



ENGLISH

DEUTSCH

FRANCAIS

ESPAÑOL

POLSKI

ITALIANO

## Merci d'avoir choisi LD-Systems!

Nous avons conçu ce produit afin de vous offrir un matériel fiable, qui vous accompagnera durant de longues années. En achetant l'un des produits de la marque LD-Systems vous bénéficiez de notre compétence reconnue et de nos nombreuses années d'expérience en tant que fabricant. Notre nom est notre garantie.

Veuillez s'il-vous-plait prendre quelques minutes pour lire attentivement ces instructions d'utilisation car nous souhaitons que vous puissiez profiter pleinement et au plus vite de votre matériel LD-Systems.

Pour plus d'informations sur LD-Systems venez visiter notre site [WWW.LD-SYSTEMS.COM](http://WWW.LD-SYSTEMS.COM)

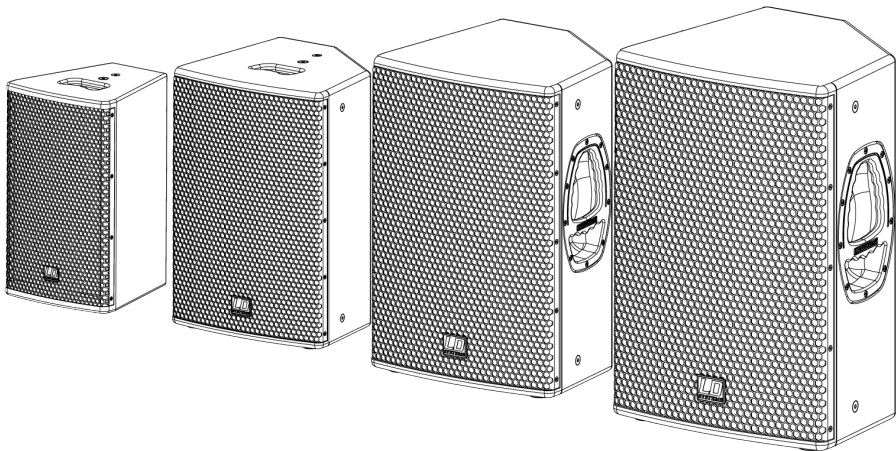
## INTRODUCTION :

Les enceintes de la série LD Systems Stinger G<sup>2</sup> sont conçus pour un usage professionnel. Un son de qualité, un niveau de pression acoustique élevé, une grande fiabilité, des composants sélectionnés avec soin, le tout à un prix abordable : voici les points forts des enceintes LD Systems Stinger G<sup>2</sup>.

Cette gamme propose quatre enceintes actives deux voies, équipées de boomers de diamètre 8", 10", 12" et 15", et quatre modèles passifs deux voies de dimensions identiques. Grâce à leur souplesse de mise en place et leur fiabilité, les enceintes de la gamme LD Systems Stinger G<sup>2</sup> constituent un choix parfait pour les sonoriseurs professionnels.

# LD **STINGER G<sup>2</sup>**SERIES

ENCEINTES DE SONORISATION ACTIVES & PASSIVES



ENGLISH

DEUTSCH

FRANCAIS

ESPAÑOL

POLSKI

ITALIANO



## MESURES PRÉVENTIVES :

ENGLISH

1. Veuillez lire attentivement ces instructions.
2. Gardez ces instructions et informations en lieu sûr.
3. Veuillez suivre ces instructions.
4. Veuillez respecter tous les avertissements. N'enlevez pas les instructions de sécurité ou toute autre information collée sur l'appareil.
5. N'utilisez l'appareil que conformément à l'usage auquel il est destiné.
6. Use only stable and appropriate stands and/or mounts when the device is permanently installed. Vérifiez bien que les supports muraux sont solidement fixés. Vérifiez que l'appareil est installé de façon stable, et ne peut tomber.

DEUTSCH

7. When installing please observe the corresponding safety standards for your country.
8. Do not install the device near radiators, heat accumulators, ovens or other sources of heat. Veillez à assurer un refroidissement suffisant de l'appareil, afin d'éviter

FRANCAIS

9. Ne posez aucune source de flamme nue sur l'appareil (bougie allumée, par exemple).
10. N'obstruez pas les ouïes de ventilation.
11. Do not operate the device in the immediate vicinity of water. Do not expose this equipment to combustible materials, liquids or gases.
12. Vérifiez qu'aucune éclaboussure ou infiltration d'eau n'est possible dans l'appareil. Do not put objects filled with fluids, such as vases or drinking vessels, on top of the device.
13. Vérifiez qu'aucun objet ne peut tomber dans l'appareil.

ESPAÑOL

14. N'utilisez l'appareil qu'avec des accessoires dont l'emploi a été prévu par le fabricant.
15. ATTENTION : If this device has a mains connector equipped with protective earth, it must be connected to a mains socket with a protective ground connection. Ne désactivez jamais la fonction de protection par mise à la terre du cordon secteur livré.
16. Do not turn on the device immediately if it was exposed to strong temperature fluctuations (for example after transportation). Moisture and condensation may damage the device. Leave the device switched off until it has reached room temperature.

POLSKI

17. Do not open the device and do not make any changes to the device.
18. Before connecting to mains power, make certain that the mains voltage and the mains frequency are the same as the operating values of the device (see type label). If the device is equipped with a supply voltage selector switch, make certain that the values of the device match the values of the mains power before connecting. If the plug on the included cord does not fit your mains outlet, contact your electrician.
19. Veillez à éviter tout piétinement du cordon secteur. Protégez le cordon secteur de toute flexion excessive, que ce soit côté prise murale ou côté appareil.

ITALIANO

20. Pour éviter tout dommage ou incident, par exemple si quelqu'un a trébuché sur le câble, vérifiez tous les branchements une fois que vous avez branché l'appareil.
21. Lorsque vous branchez l'appareil, vérifiez que la prise murale reste facilement accessible. Always pull out the power plug when the device is not in use or when you clean the device. Disconnect the power cord by pulling the plug not the cable.
22. Avoid switching the device on and off at short intervals, because it may shorten the durability of the device.
23. IMPORTANT: Replace fuse only by fuse of same type and rating! If fuse blows repeatedly please contact authorized service center!
24. Si vous désirez désolidariser complètement l'appareil de la tension secteur, il faut débrancher la prise murale.



## MESURES PRÉVENTIVES :

25. If your device is equipped with a Volex power connector, the matching Volex device plug must be unlocked in order to disconnect it. Du même coup, toute sollicitation sur le cordon secteur est susceptible de déplacer l'appareil, ce qui peut provoquer des blessures et/ou des dégâts matériels. Il vaut donc mieux, par conséquent, soigner les passages de câbles.
26. If there is a risk of lightning strike or during extended periods of disuse, unplug the power plug.
27. During transport, make certain that the equipment being transported cannot fall down and possibly cause personal injuries and/or property damage.
28. Si votre appareil ne fonctionne plus correctement, s'il a été exposé à du liquide ou si un objet est tombé à l'intérieur, ou en cas de dommage, quel qu'il soit, éteignez-le immédiatement et débranchez sa prise murale. Cet appareil ne doit être réparé que par des experts autorisés.
29. Pour nettoyer l'appareil, utilisez exclusivement un chiffon sec
30. Respectez toutes les lois en vigueur dans votre pays pour jeter l'emballage. Veuillez séparer le plastique et le papier/carton.
31. Mettez les films plastique hors de portée des enfants.



### ATTENTION :

Pour éviter tout risque d'électrocution, ne démontez pas le capot (ou le panneau arrière). L'appareil ne contient aucune pièce réparable par l'utilisateur. Veuillez confier la maintenance de l'appareil à un personnel qualifié.



Le pictogramme d'éclair, ou flèche dans un triangle équilatéral, est prévu pour alerter l'utilisateur de la présence d'une "tension dangereuse" non protégée à l'intérieur du coffret de l'appareil, d'une valeur suffisamment élevée pour constituer un risque pour l'organisme humain.



Le point d'exclamation à l'intérieur d'un triangle équilatéral sert à attirer l'attention de l'utilisateur sur la présence d'instructions importantes, relatives à l'utilisation ou à la maintenance, dans la brochure livrée avec l'appareil.

### ATTENTION ! NIVEAUX SONORES ÉLEVÉS !

Cet appareil sera utilisé dans le cadre d'applications professionnelles. Par conséquent, son utilisation commerciale est soumise aux lois et aux réglementations en vigueur dans votre secteur d'activités. En tant que fabricant, Adam Hall est tenu de vous informer formellement de l'existence de certains risques sanitaires.

Dommages auditifs, exposition prolongée à des niveaux sonores excessifs : ce caisson de basses est capable de générer des niveaux de pression sonore (SPL) suffisants pour causer des dommages auditifs irréversibles aux artistes, aux équipes de production et au public. Attention à éviter toute exposition prolongée à des niveaux de pression sonore supérieurs à 90 dB SPL.

# ENCEINTE ACTIVE PANNEAU ARRIÈRE :

**LDEB82AG<sup>2</sup>**  
**LDEB102AG<sup>2</sup> (photo)**

ENGLISH

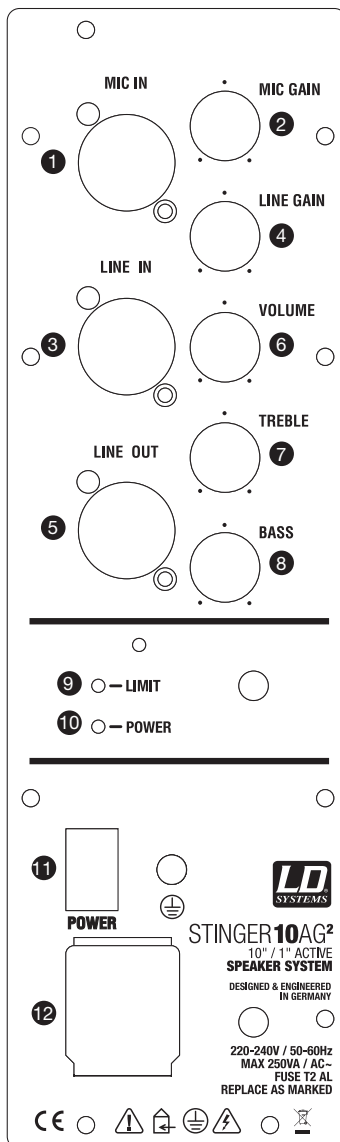
DEUTSCH

FRANCAIS

ESPAÑOL

POLSKI

ITALIANO



## FONCTIONNALITÉS ENCEINTES ACTIVES :

- 1 MIC IN**  
Entrée microphone, symétrique, sur connecteur Combo (mixte XLR/jack 6,35 mm).
- 2 MIC GAIN**  
Potentiomètre de réglage de gain de l'entrée microphone
- 3 LINE IN**  
Entrée ligne symétrique sur connecteur Combo (mixte XLR/jack 6,35 mm).
- 4 LINE GAIN**  
Potentiomètre de réglage de gain de l'entrée ligne
- 5 LINE OUT**  
Sortie (renvoi du signal) symétrique sur connecteur XLR, permettant la connexion à une autre enceinte active, à une table de mixage... Ce signal est un mixage des signaux MIC IN et LINE IN.
- 6 VOLUME**  
Réglage de volume général de l'enceinte.
- 7 TREBLE**  
Tournez ce potentiomètre vers la gauche pour baisser les aigus. Tournez-le vers la droite pour les augmenter.
- 8 BASS**  
Tournez ce potentiomètre vers la gauche pour baisser les graves. Tournez-le vers la droite pour les augmenter.
- 9 LED LIMIT**  
S'allume dès que l'enceinte approche de ses limites d'utilisation. Si cette LED ne clignote qu'occasionnellement, pas de problème. En revanche, si la LED LIMIT reste allumée longtemps ou en permanence, le système est surchargé. Veuillez réduire le niveau du signal audio source. Dans le cas contraire, vous obtiendrez un son déformé par la distorsion, désagréable à écouter, et vous risquez d'endommager le caisson.
- 10 LED POWER**  
Cet indicateur s'allume lorsque l'enceinte est sous tension et que le câble secteur est connecté correctement.
- 11 INTERRUPTEUR POWER**  
Avant d'allumer l'enceinte, vérifiez que tous les potentiomètres de niveau sont réglés au minimum.
- 12 EMBASE SECTEUR (CONNECTEUR VOLEX)**  
Branchement secteur, connecteur IEC (tension 220 - 240 Volts 50 Hz)  
L'enceinte est livrée avec un cordon secteur muni d'un connecteur Volex verrouillable.  
**IMPORTANT ! Ne remplacez le fusible que par un autre de même type et calibre. Si le fusible fond de façon répétée, veuillez contacter un réparateur agréé.**

ENGLISH

DEUTSCH

FRANCAIS

ESPAÑOL

POLSKI

ITALIANO

# ENCEINTE ACTIVE PANNEAU ARRIÈRE :

**LDEB122AG<sup>2</sup> (photo)**  
**LDEB152AG<sup>2</sup>**

ENGLISH

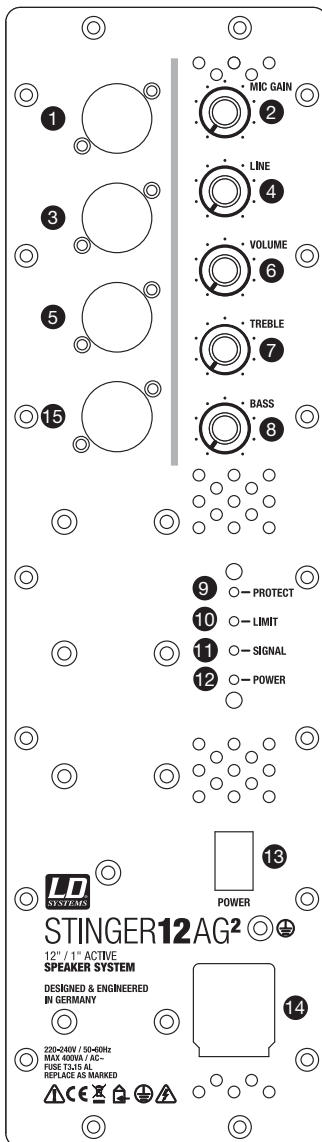
DEUTSCH

FRANCAIS

ESPAÑOL

POLSKI

ITALIANO



## FONCTIONNALITÉS ENCEINTES ACTIVES :

- 1 MIC IN**  
Entrée microphone sur connecteur Combo (mixte XLR/jack 6,35 mm).
- 2 MIC GAIN**  
Potentiomètre de réglage de gain de l'entrée microphone.
- 3 LINE IN**  
Entrée ligne symétrique sur connecteur Combo (mixte XLR/jack 6,35 mm).
- 4 LINE GAIN**  
Potentiomètre de réglage de gain de l'entrée ligne.
- 5 LINE OUT**  
Sortie (renvoi du signal) symétrique sur connecteur XLR, permettant la connexion à une autre enceinte active, à une table de mixage... Ce signal est un mixage des signaux MIC IN et LINE IN.
- 6 VOLUME**  
Réglage de volume général de l'enceinte
- 7 TREBLE**  
Tournez ce potentiomètre vers la gauche pour baisser les aigus. Tournez-le vers la droite pour les augmenter.
- 8 BASS**  
Tournez ce potentiomètre vers la gauche pour baisser les graves. Tournez-le vers la droite pour les augmenter.
- 9 LED PROTECT**  
S'allume dès que l'enceinte est en surcharge ou en surchauffe.  
L'amplificateur passe alors automatiquement en mode Mute (signal coupé). L'enceinte repasse à un fonctionnement normal au bout de quelques minutes.
- 10 LED LIMIT**  
S'allume dès que l'enceinte approche de ses limites d'utilisation. Si cette LED ne clignote qu'occasionnellement, pas de problème.  
Si la LED LIMIT reste allumée longtemps ou en permanence, l'enceinte est surchargée. Veuillez réduire le niveau du signal audio source connecté ou le volume de l'enceinte active. Dans le cas contraire, vous obtiendrez un son déformé par la distorsion, désagréable à écouter, et vous risquez d'endommager le caisson.
- 11 LED SIGNAL**  
Cet indicateur s'allume dès qu'un signal audio est reçu sur le caisson de basses.
- 12 LED POWER**  
Cet indicateur s'allume lorsque l'enceinte est sous tension et que le câble secteur est connecté correctement.
- 13 INTERRUPTEUR POWER**  
Cet indicateur s'allume lorsque l'enceinte est sous tension et que le câble secteur est connecté correctement.
- 14 EMBASE SECTEUR (CONNECTEUR VOLEX)**  
Branchement secteur, connecteur IEC (tension 220 - 240 Volts 50 Hz)  
L'enceinte est livrée avec un cordon secteur muni d'un connecteur Volex verrouillable.  
**IMPORTANT ! Ne remplacez le fusible que par un autre de même type et calibre. Si le fusible fond de façon répétée, veuillez contacter un réparateur agréé.**
- 15 SPEAKER OUT**  
Sortie sur connecteur compatible Speakon, au niveau haut-parleur. Elle permet d'alimenter une enceinte supplémentaire, passive, d'impédance nominale 8 Ohms : par exemple, une LDEB122G<sup>2</sup> ou LDEB152G<sup>2</sup>.

ENGLISH

DEUTSCH

FRANCAIS

ESPAÑOL

POLSKI

ITALIANO

# ENCEINTE ACTIVE CARACTÉRISTIQUES :

ITALIANO

POLSKI

ESPAÑOL

FRANCAIS

DEUTSCH

ENGLISH

	<b>LDEB82AG2</b>	<b>LDEB102AG2</b>	<b>LDEB122AG2</b>	<b>LDEB152AG2</b>
Type produit :	Enceinte de sonorisation	Enceinte de sonorisation	Enceinte de sonorisation	Enceinte de sonorisation
Type :	Active	Active	Active	Active
Diamètre boomer :	" 8	10	12	15
Woofer Size:	mm 203,2	254	304,8	381
Woofer Magnet:	Ferrite	Ferrite	Ferrite	Ferrite
Woofer Brand:	Fabrication spécifique	Fabrication spécifique	Fabrication spécifique	Fabrication spécifique
Woofer Voice Coil:	" 2	2	2,5	3
Woofer Voice Coil:	mm 50,8	50,8	63,5	70,6
Horn:	CD Horn	CD Horn	CD Horn	CD Horn
HF Driver Size:	" 1	1	1	1
HF Driver Size:	mm 25,4	25,4	25,4	25,4
HF Driver Magnet:	Ferrite	Ferrite	Ferrite	Ferrite
HF Driver Brand:	BMS	BMS	BMS	BMS
HF Driver Voice Coil:	" 1	1	1	1
HF Driver Voice Coil:	mm 25,4	25,4	25,4	25,4
Amplification :	Class D, ICEpower 50ASX2	Class D, ICEpower 50ASX2	Class D, Hypex Ucd400	Class D, Hypex Ucd400
Dispersion (H x V):	° 100 x 55	100 x 55	100 x 55	100 x 55
Puissance (eff.) :	W 170	170	400	400
Power (Peak):	W 340	340	800	800
Bande passante :	Hz 70 - 19.000	65 - 19.000	58 - 19.000	50 - 19.000
Crossover Frequency:	Hz 2.200	2.400	1.800	1.800
Max SPL Continuous:	dB 116	117	118	120

Max. SPL Peak:	dB	129	130	132	134
Protections :		Tweeter, short circuit, over voltage	Tweeter, short circuit, over voltage	Tweeter, over current, over voltage	Tweeter, over current, over voltage
Contrôles :		Mic Gain, Line Gain, Volume, Treble, Bass, Power	Mic Gain, Line Gain, Volume, Treble, Bass, Power	Mic Gain, Line Gain, Volume, Treble, Bass, Power	Mic Gain, Line Gain, Volume, Treble, Bass, Power
Indicateurs :		Limit, Power	Limit, Power	Protect, Limit, Signal, Power	Protect, Limit, Signal, Power
Input Connector Line:		XLR/jack (combo)	XLR/jack (combo)	XLR/jack (combo)	XLR/jack (combo)
Input Connector Mic:		XLR/jack (combo)	XLR/jack (combo)	XLR/jack (combo)	XLR/jack (combo)
Output Connector Line:		XLR	XLR	XLR	XLR
Output Connector Speaker:		-	-	compatible Speakon / 8 Ohm	compatible Speakon / 8 Ohm
Alimentation :		220-240 V AC	220-240 V AC	220-240 V AC	220-240 V AC
Matériau coffrets :		15 mm plywood	15 mm plywood	15 mm plywood	15 mm plywood
Revêtement :		Structure coating	Structure coating	Structure coating	Structure coating
Cabinet Design:		Bassreflex	Bassreflex	Bassreflex	Bassreflex
Monitor Angle:	°	-	54°	54°	54°
Dimensions (L x H x P) :	mm	270 x 450 x 290	320 x 500 x 290	390 x 570 x 370	480 x 650 x 460
Poids :	kg	11	12,7	21	28,5
Fonctionnalités :		ergonomic milled handles, M10 threaded flange for SuperClamp, Aluminium stand support 36 mm	ergonomic milled handles, M10 threaded flange for SuperClamp, Aluminium stand support 36 mm	LD Systems Evolutive handles, SM707 stands support 36 mm, 6x M8 rigging point	LD Systems Evolutive handles, SM707 stands support 36 mm, 6x M8 rigging point

Comme tous nos produits sont constamment contrôlés et améliorés, des modifications techniques peuvent leur être apportées sans préavis.

ITALIANO

POLSKI

ESPAÑOL

FRANCAIS

DEUTSCH

ENGLISH



## FACE ARRIÈRE VERSION PASSIVE :

ENGLISH

LDEB82G<sup>2</sup>  
LDEB102G<sup>2</sup>  
LDEB122G<sup>2</sup> (shown)  
LDEB152G<sup>2</sup>

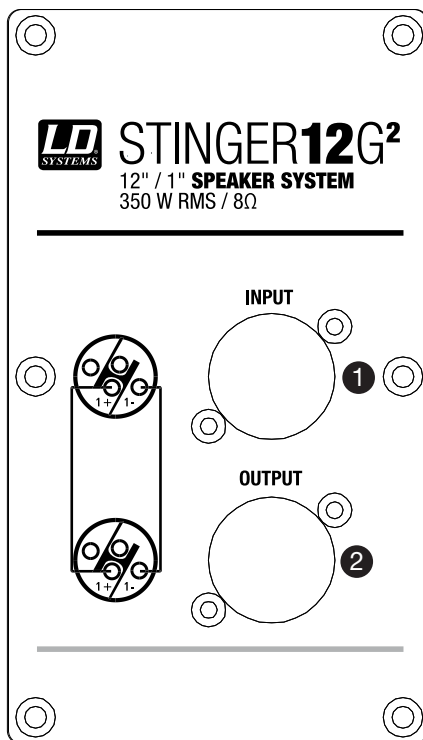
DEUTSCH

FRANCAIS

ESPAÑOL

POLSKI

ITALIANO





## FACE ARRIÈRE VERSION PASSIVE :

### ① ENTRÉES

Entrées sur connecteur compatible Speakon

### ② SORTIES

Sorties sur connecteur compatible Speakon (câblé en parallèle avec entrée Speakon 1+/1-)

ENGLISH

DEUTSCH

FRANCAIS

ESPAÑOL

POLSKI

ITALIANO

## PASSIVE SPECIFICATIONS:

ITALIANO

POLSKI

ESPAÑOL

FRANCAIS

DEUTSCH

ENGLISH

	LDEB82G2	LDEB102G2	LDEB122G2	LDEB152G2
Product sort:	PA Loudspeaker	PA Loudspeaker	PA Loudspeaker	PA Loudspeaker
Type :	Passive	Passive	Passive	Passive
Woofer Size:	" 8	10	12	15
Woofer Size:	mm 203,2	254	304,8	381
Woofer Magnet:	Ferrite	Ferrite	Ferrite	Ferrite
Woofer Brand:	Fabrication spécifique	Fabrication spécifique	Fabrication spécifique	Fabrication spécifique
Woofer Voice Coil:	" 2	2	2,5	3
Woofer Voice Coil:	mm 50,8	50,8	63,5	70,6
Horn:	CD Horn	CD Horn	CD Horn	CD Horn
HF Driver Size:	" 1	1	1	1
HF Driver Size:	mm 25,4	25,4	25,4	25,4
HF Driver Magnet:	Ferrite	Ferrite	Ferrite	Ferrite
HF Driver Brand:	BMS	BMS	BMS	BMS
HF Driver Voice Coil:	" 1	1	1	1
HF Driver Voice Coil:	mm 25,4	25,4	25,4	25,4
Dispersion (H x V):	o 100 x 55	100 x 55	100 x 55	100 x 55
Puissance (eff.) :	W 200	250	350	500
Power (Peak):	W 400	500	700	1.000
Bande passante :	Hz 70 - 19.000	65 - 19.000	58 - 19.000	50 - 19.000
Crossover Frequency:	Hz 2.200	2.400	1.800	1.800
Pression sonore nominale 1 W/1 m :	db 95	96	99	100

Max SPL Continuous:	dB	118	120	125	127
Impédance:	Ohm	8	8	8	8
Protections :		Tweeter	Tweeter	Tweeter	Tweeter
Input Connector Speaker:		compatible Speakon			
Output Connector Speaker:					
Matériau coffrets :		15 mm plywood	15 mm plywood	15 mm plywood	15 mm plywood
Revêtement :		Structure coating	Structure coating	Structure coating	Structure coating
Cabinet Design:		Bassreflex	Bassreflex	Bassreflex	Bassreflex
Monitor Angle:	°	-	54°	54°	54°
Dimensions (L x H x P) :	mm	270 x 450 x 290	320 x 500 x 290	390 x 570 x 370	480 x 650 x 460
Poids :	kg	10 kg	11,5 kg	19 kg	25,5 kg
Fonctionnalités :		ergonomic milled handles, M10 threaded flange for SuperClamp, Aluminium stand support 36 mm	ergonomic milled handles, M10 threaded flange for SuperClamp, Aluminium stand support 36 mm	LD Systems Evolutive handles, SM707 stands support 36 mm, 6x M8 rigging point	LD Systems Evolutive handles, SM707 stands support 36 mm, 6x M8 rigging point

Comme tous nos produits sont constamment contrôlés et améliorés, des modifications techniques peuvent leur être apportées sans préavis.

ENGLISH

DEUTSCH

FRANCAIS

ESPAÑOL

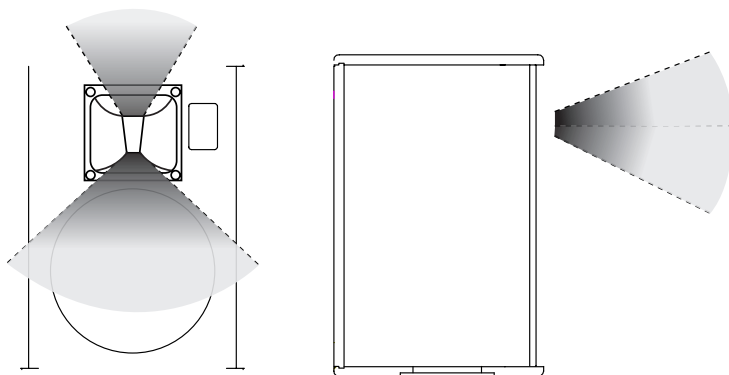
POLSKI

ITALIANO

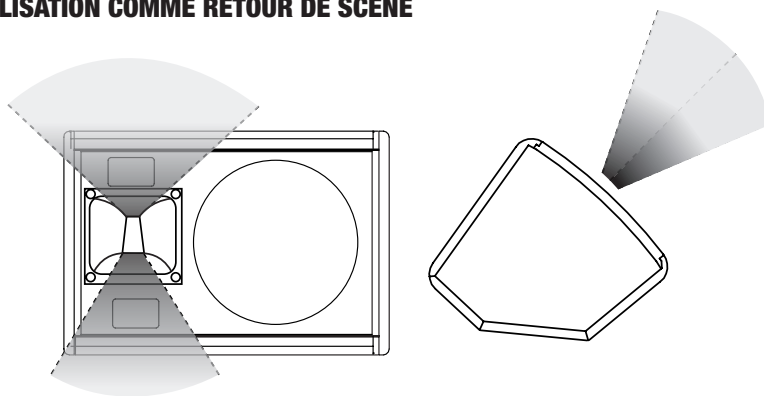
## CONFIGURATION PAVILLON :

Pour les LDEB102(A)G<sup>2</sup>, LDEB122(A)G<sup>2</sup>, LDEB152(A)G<sup>2</sup>

### UTILISATION COMME ENCEINTE DE SONORISATION FAÇADE



### UTILISATION COMME RETOUR DE SCÈNE



En configuration retour de scène, l'ouverture étroite du pavillon du tweeter doit être orientée vers le bas.

En configuration retour de scène, il faut faire pivoter le pavillon du tweeter de 90°, l'ouverture étroite doit être orientée vers le bas.

Démontez la grille avant et dévissez les 4 vis du pavillon du tweeter. Faites pivoter le pavillon du tweeter de 90°, puis remettez en place les 4 vis. Remontez la grille avant.

ENGLISH

DEUTSCH

FRANCAIS

ESPAÑOL

POLSKI

ITALIANO

## INSTALLATION & ORIENTATION :

### ACCESSOIRES D'ACCROCHE

Pour les enceintes LDEB82(A)G<sup>2</sup> LDEB102(A)G<sup>2</sup>, nous recommandons la pince universelle Adam Hall SCP710B + SS018.  
 Les enceintes LDEB122(A)G<sup>2</sup> et LDEB152(A)G<sup>2</sup> sont équipées de 6 points d'accroche M8 chacune.  
 Nous recommandons d'utiliser les vis/écrous LD Premium M8 LDVSE pour la fixation.

LDEB82(A)G<sup>2</sup> et LDEB102(A)G<sup>2</sup>



**LDEB82G2B / LDEB102G2B**  
Housse de protection



**SCP710B**  
Pince avec verrouillage



**LDEB82G2WB / LDEB102G2WB**  
Fixation murale



**SS018**  
Boulon 16 mm, filetage M10

ENGLISH

DEUTSCH

FRANCAIS

ESPAÑOL

POLSKI

ITALIANO

## ACCESSOIRES:

ENGLISH

LDEB122(A)G<sup>2</sup> et LDEB152(A)G<sup>2</sup>

DEUTSCH



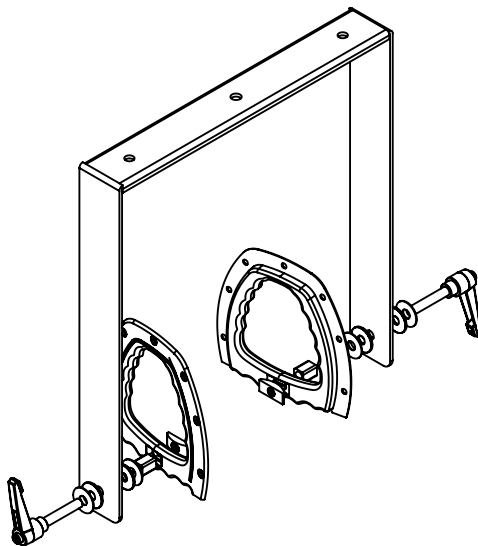
FRANCAIS

**LDEB122G2B / LDEB152G2B**  
Housse de protection

ESPAÑOL

POLSKI

ITALIANO



**LDEB122G2SB / LDEB152G2SB**  
Fixation pivotante

## ACCESSOIRES UNIVERSELS :



**SMBS5**  
Plaque de montage mural



**SPS023S / SPS023**  
Pied d'Enceinte



**SPS023SET**  
2 trépieds pour enceintes, avec sac

**SPS023SET2**  
2 trépieds pour enceintes, avec sac et 2 câbles compatible Speakon

ENGLISH

DEUTSCH

FRANCAIS

ESPAÑOL

POLSKI

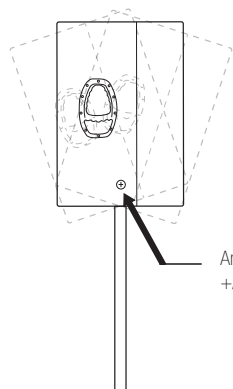
ITALIANO

## INSTALLATION & ORIENTATION :

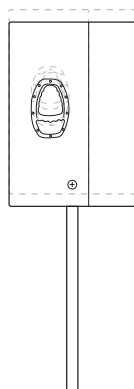
### RÉGLAGE DE L'EMBASE SM707 (LDEB122(A)G<sup>2</sup> et LDEB152(A)G<sup>2</sup> UNIQUEMENT)

L'embase orientable brevetée SM707 offre des possibilités uniques et termes de réglage d'angle d'orientation. La SM707 permet une orientation de +/- 13,5°, par pas de 4,5°.

Soulevez légèrement l'enceinte afin de la dégager du mécanisme de verrouillage (environ 5 mm), orientez-la selon l'angle désiré, puis laissez retomber l'enceinte.

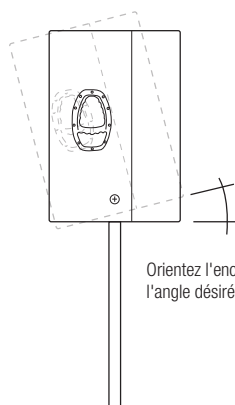


Amplitude d'inclinaison :  
+/- 13,5°

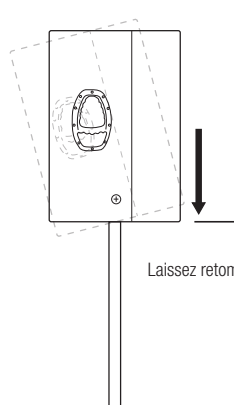


Soulevez l'enceinte.

Attention : Tenez-la bien !



Orientez l'enceinte selon  
l'angle désiré.



Laissez retomber l'enceinte.



## DECLARATIONS DU FABRICANT :

### GARANTIE LIMITÉE:

Cette garantie limitée s'applique aux produits de la marque Adam Hall, LD Systems, LD Premium, Defender, Palmer, Cameo et Eminence.

Les droits inhérents à la garantie légale vis-à-vis du revendeur ne sont pas affectés par cette garantie. En fait elle justifie d'une garantie supplémentaire indépendante auprès de la société Adam Hall.

La société Adam Hall garantit que le produit que vous avez acheté Adam Hall ou à l'un de ses revendeurs officiels, est exempt de défaut matériel et d'usure pour une durée de 2 ans (ou 5 ans pour les produits Palmer) à partir de la date d'achat, lorsqu'il est utilisé dans des conditions normales.

La période de garantie limitée débute le jour de l'achat du produit. Pour bénéficier de cette garantie vous devez produire une preuve d'achat sur laquelle figure la date d'achat du produit (ex : ticket de caisse daté, bon de livraison daté...). Si un produit d'une des marques citées ci-dessus venait à nécessiter une réparation durant la période de garantie limitée, vous aurez alors le droit de bénéficier des services de la garantie selon les termes et conditions mentionnés par ce document.

Cette garantie limitée ne s'applique qu'à l'acheteur initial de ce produit Adam Hall et ne peut être en aucun cas transférée à un tiers devenu propriétaire du produit. Durant la période de garantie limitée, Adam Hall s'engage à réparer ou remplacer les pièces défectueuses du produit. Toutes les pièces ou éléments démontés lors d'une réparation par Adam Hall deviennent la propriété d'Adam Hall.

Dans le cas improbable d'un défaut récurrent, Adam Hall peut, à sa discrétion, décider de vous fournir un produit de remplacement de son choix, dont les capacités techniques sont au moins équivalentes à celles de votre produit initial.

Adam Hall ne garantit pas que le fonctionnement de ce produit sera exempt d'erreur ou ininterrompu. Adam Hall ne peut pas être rendu responsable des dégâts résultant de votre manquement à suivre les instructions d'utilisation fournies avec votre produit.

Cette garantie limitée ne s'applique pas,

- aux pièces d'usure (ex: piles)
- aux produits dont le numéro de série a été effacé ou aux produits endommagés ou rendus défectueux par accident
- dans le cas d'une utilisation non conforme aux conditions normales d'utilisation, dans le cas d'abus ou toute autre cause externe
- dans le cas d'un usage du produit en dehors des paramètres d'utilisation stipulés dans la documentation fournie avec le produit
- dans le cas de l'usage de pièces de remplacement n'étant pas fabriquées ou vendues par Adam Hall
- dans le cas d'une modification du produit ou d'une réparation par quiconque autre qu'Adam Hall

Ces termes et conditions constituent l'accord de garantie complet et exclusif entre vous et Adam Hall concernant le produit de la marque Adam Hall que vous vous êtes procuré.

ENGLISH

DEUTSCH

FRANCAIS

ESPAÑOL

POLSKI

ITALIANO

## DECLARATIONS DU FABRICANT :

ENGLISH

### LIMITATION OF LIABILITY

Si votre produit Adam Hall devait ne pas fonctionner correctement, votre seul et unique dédommagement sera la réparation du produit ou son remplacement. La responsabilité maximale imputable à Adam Hall dans le cadre de cette garantie limitée se limite au montant le plus bas. Ce montant découle du prix d'achat du produit ou bien du coût de la réparation ou des pièces de remplacement qui sont tombés en panne dans des conditions d'utilisation normales.

DEUTSCH

Adam Hall n'est pas responsable des dommages causés par le produit ou par un dysfonctionnement du produit, y compris les pertes de profits, les pertes d'épargne, et les conséquences inhérentes à ces dommages. La responsabilité d'Adam Hall ne peut pas être engagée dans le cas d'une réclamation par un tiers ou dans le cas d'une réclamation émanant de l'acheteur initial pour le compte d'un tiers.

FRANCAIS

Cette limitation de responsabilité est valable indépendamment du fait que les dommages commis fassent l'objet de poursuites judiciaires, qu'ils fassent l'objet de réclamation (y compris pour négligence), de réclamations contractuelles ou tout autre réclamation. Cette limitation de responsabilité ne peut être amendée ou dérogée par quiconque. Elle est effective même si vous aviez avisé Adam Hall ou l'un de ses représentants officiels de la possibilité d'un tel dommage. Toutefois cette limitation de responsabilité est sans effet dans le cas de réclamations pour dommages corporels.

Cette garantie limitée vous confère des droits légaux spécifiques. Selon votre pays, ou l'État dans lequel vous vous trouvez, il est possible que vous disposiez d'autres droits. Veuillez consulter les lois applicables dans votre pays ou votre État pour déterminer l'ensemble de vos droits.

ESPAÑOL

### FAIRE FONCTIONNER LA GARANTIE

Pour faire fonctionner la garantie sur ce produit, veuillez contacter Adam Hall ou le revendeur agréé auquel vous avez acheté le produit.

POLSKI

### ELIMINATION CORRECTE DES DÉCHETS (DÉCHETS ÉLECTROMÉNAGERS)

(Applicable dans l'Union Européenne et dans les autres pays européens disposant d'un système de tri des déchets)



Ce signe figurant sur le produit, ou dans la brochure jointe au produit, indique qu'il ne doit pas être jeté dans le même bac à ordures que les déchets ménagers classiques lorsqu'il arrive en fin de vie. Pour écarter les risques de pollution de l'environnement ou les risques d'intoxication humaine dues à un mauvais traitement des déchets, veuillez séparer ce produit des autres types de déchets. Il sera ainsi inséré dans la boucle du recyclage et ces composants pourront être traités puis éventuellement réutilisés.

Nous recommandons aux particuliers de contacter leur revendeur local ou les autorités locales pour s'informer de la meilleure façon de traiter les déchets électroménagers.

ITALIANO

Les professionnels doivent contacter leur fournisseur et examiner avec lui les termes et conditions de leur contrat d'achat. Ce produit ne doit pas être mélangé aux déchets industriels.

## DECLARATION WEEE

Votre produit LD-Systems a été développé et fabriqué avec des matériaux et des composants de haute qualité, qui peuvent être recyclés et/ou réutilisés. Ce symbole indique que les appareils électriques et électroniques, à la fin de leur durée de vie opérationnelle, doivent être gérés séparément des déchets ordinaires. Veuillez apporter ce produit au point de collecte ou centre de recyclage local prévu pour de tels appareils. Vous contribuerez ainsi à la protection de l'environnement dans lequel nous vivons tous.

## BATTERIES ET ACCUMULATEURS

Les piles ou batteries rechargeable livrées avec l'appareil sont recyclables. Veuillez les jeter dans un bac à déchets spécial, ou déposez-les chez votre revendeur spécialisé. Pour une meilleure protection de l'environnement, ne jetez les piles que lorsqu'elles sont épuisées.

## ÉCOLOGIE ET ÉCONOMIES D'ÉNERGIE :

Économiser l'électricité contribue à la protection de l'environnement. Pensez à éteindre les appareils électriques dès que vous ne vous en servez pas. Pour éviter le gaspillage d'énergie en mode Standby (veille), débranchez le cordon secteur de la prise murale lorsqu'un appareil n'est pas utilisé.

Adam Hall GmbH, tous droits réservés. Les caractéristiques techniques et les fonctions disponibles sur le produit sont sujettes à modifications. La photocopie, la traduction et toute forme de copie, partielle ou intégrale, de ce manuel utilisateur sont interdites.



ENGLISH

DEUTSCH

FRANCAIS

ESPAÑOL

POLSKI

ITALIANO

## Gracias por elegir LD-Systems!

Este producto se ha diseñado para ofrecer una fiabilidad y durabilidad óptima. Los productos de LD-Systems se caracterizan por su gran calidad, avalada por el prestigio de la marca y una dilatada experiencia como fabricante.

Le rogamos que lea atentamente estas instrucciones para familiarizarse rápidamente con este producto LD-Systems y aprovechar al máximo todas las funciones.

Si desea obtener información sobre LD-Systems, visite nuestro sitio web [WWW.LD-SYSTEMS.COM](http://WWW.LD-SYSTEMS.COM)

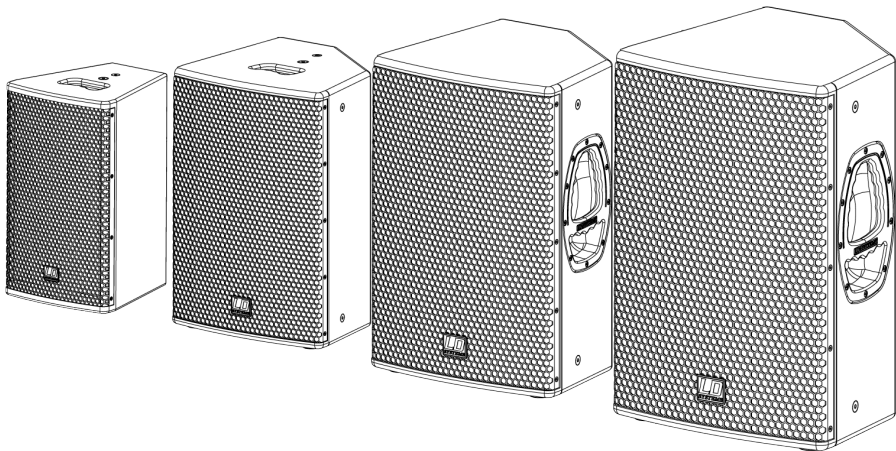
## Introducción

Los altavoces de la serie LD Stinger G<sup>2</sup> están diseñados para uso profesional. La serie Stinger G<sup>2</sup> de LD Systems se caracteriza por un sonido brillante a altos niveles de SPL, su fiabilidad y componentes de calidad, todo ello a un precio asequible.

Esta serie se compone de cuatro bafles de dos vías de 8", 10", 12" y 15" en versiones activas y pasivas. Gracias a su flexibilidad de aplicación y fiabilidad, los altavoces de la serie Stinger G<sup>2</sup> de LD Systems son ideales para un refuerzo de sonido profesional.

# LD SERIE **STINGER G<sup>2</sup>**

SISTEMAS **ACTIVOS Y PASIVOS**



ENGLISH

DEUTSCH

FRANCAIS

ESPAÑOL

POLSKI

ITALIANO

## MEDIDAS DE SEGURIDAD:

ENGLISH

DEUTSCH

FRANCAIS

ESPAÑOL

POLSKI

ITALIANO

1. Lea detenidamente este manual.
2. Guarde el manual para poder consultarlo en el futuro.
3. Siga las instrucciones del manual.
4. Tenga en cuenta las advertencias de seguridad. No quite las instrucciones de seguridad ni cualquier otra información indicada en el equipo.
5. Utilice el equipo únicamente según la finalidad prevista.
6. Emplee un soporte y/o sistema de fijación estables y adecuados cuando instale el equipo de forma permanente. Asegúrese de que los soportes para pared están firmemente fijados. Asegúrese de que el equipo está instalado de forma segura y no se puede caer.
7. Al instalar el equipo, respete las normas de seguridad aplicables en su país.
8. Evite colocar el equipo cerca de radiadores, acumuladores de calor o cualquier otra fuente de calor. Asegúrese de que el equipo dispone de la suficiente ventilación y de que no se sobrecalentará.
9. No coloque velas encendidas, ni otras fuentes de llama, sobre el equipo.
10. No tape las rejillas de ventilación.
11. No utilice el equipo cerca del agua. No exponga este equipo a materiales, líquidos o gases inflamables.
12. Asegúrese de que el equipo no quede expuesto a goteras o salpicaduras de agua. No coloque recipientes llenos de líquido, como floreros o copas, sobre el equipo.
13. Asegúrese de que no se caiga ningún objeto sobre el equipo.
14. Emplee el equipo únicamente con los accesorios recomendados por el fabricante.
15. **ADVERTENCIA:** Si el equipo tiene un conector de tierra, deberá enchufarse a una toma eléctrica con conexión de protección a tierra. No desactivar nunca esta conexión de protección a tierra del cable eléctrico.
16. Si el equipo ha estado expuesto a un cambio brusco de temperatura (por ejemplo, después del transporte), no lo encienda inmediatamente. La condensación o la humedad podrían dañar el equipo. Deje el equipo apagado hasta que haya alcanzado la temperatura ambiente.
17. No abra el equipo ni intente modificarlo.
18. Antes de conectar el equipo a la red eléctrica, asegúrese de que la tensión y frecuencia son las mismas que los valores indicados en el equipo (ver etiqueta de especificaciones). Si el equipo dispone de un selector de tensión, antes de enchufarlo a la red eléctrica, asegúrese de que el valor seleccionado coincide con la tensión de suministro.  
Si el enchufe no encaja en la toma eléctrica, consulte a un electricista.
19. Asegúrese de que el cable eléctrico no está pinzado. Evite que el cable resulte pellizcado, sobre todo en los extremos de conexión al equipo y en la toma eléctrica.
20. Para evitar accidentes y daños personales, compruebe que en toda la longitud del cableado no hay peligro de que provoque una caída, por ejemplo.
21. Al conectar el equipo, asegúrese de que haya una toma eléctrica accesible.  
Desenchufe el equipo de la toma eléctrica cuando no esté en uso o antes de limpiarlo. Para desenchufarlo tire del enchufe, no del cable eléctrico.
22. Evite encender y apagar el equipo en cortos intervalos de tiempo, ya que se reduce así la vida útil del equipo.
23. **IMPORTANTE:** Al sustituir los fusibles, utilice únicamente fusibles del mismo tipo y características. Si el fusible se fundiera continuamente, póngase en contacto con un servicio técnico autorizado.
24. Para desconectar completamente el equipo de la tensión eléctrica, desenchúfelo de la toma eléctrica.
25. Si el equipo dispone de un enchufe eléctrico Volex, deberá desbloquearse el Volex del equipo para desenchufarlo. Esto implica que un tirón en el cable eléctrico puede desplazar el equipo y provocar daños personales o

## MEDIDAS DE SEGURIDAD:

materiales. Por tanto, asegúrese de instalar los cables con sumo cuidado.

26. Si es probable que caiga un rayo por una tormenta eléctrica o si no va a emplear el equipo durante mucho tiempo, desenchufe el cable eléctrico.

27. Al transportar el equipo, para evitar daños personales o materiales, asegúrese de que no se pueda caer accidentalmente.

28. Si el equipo no funciona correctamente, o si se ha vertido líquido sobre él, o si un objeto ha caído en su interior o si ha sufrido algún desperfecto, apague inmediatamente el equipo y desenchufe el cable eléctrico. Únicamente un técnico especialista debe reparar el equipo.

29. Emplee un paño seco para limpiar el equipo.

30. Siga las normas sobre reciclaje existentes en su país. Separe el plástico del papel y cartón.

31. No deje las bolsas de plástico al alcance de los niños.



### ADVERTENCIA:

Para evitar el riesgo de descarga eléctrica, no retire la tapa (o el panel posterior). Este equipo no contiene piezas que puedan ser reparadas por el usuario. Para cualquier tarea de mantenimiento o reparación, acuda a un técnico cualificado.



El símbolo de rayo dentro de un triángulo equilátero advierte al usuario de la presencia de tensión peligrosa sin aislamiento dentro de la carcasa del producto que pueden ser de magnitud suficiente como para suponer un riesgo para las personas.



El símbolo de exclamación dentro de un triángulo equilátero advierte al usuario de la existencia de importantes instrucciones de funcionamiento y mantenimiento (reparaciones) en la documentación adjunta con el equipo.

### ADVERTENCIA: ¡ALTO VOLUMEN!

Este sistema de transmisión se destina a un uso profesional. Por consiguiente, si se aplica a un uso comercial, estará sujeto a las normas y reglamentos de la Asociación para la prevención de accidentes de su sector profesional. Como fabricante, Adam Hall tiene la obligación de informar formalmente a los usuarios de la existencia de posibles riesgos para la salud.

Daños auditivos por exposición prolongada a un nivel SPL alto: el altavoz puede generar fácilmente un nivel de presión sonora (SPL) lo suficientemente elevado como para causar daños auditivos permanentes a los artistas, el personal de producción y el público. Deben tomarse precauciones para evitar la exposición prolongada a un SPL de más de 90 dB.

ENGLISH

DEUTSCH

FRANCAIS

ESPAÑOL

POLSKI

ITALIANO

# PANEL POSTERIOR DE SISTEMAS ACTIVOS:

**LDEB82AG<sup>2</sup>**  
**LDEB102AG<sup>2</sup> (figura)**

ENGLISH

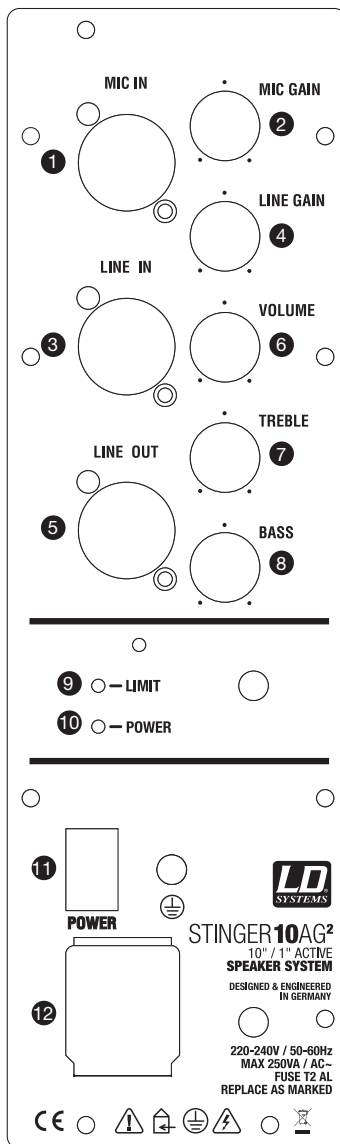
DEUTSCH

FRANCAIS

ESPAÑOL

POLSKI

ITALIANO





## CARACTERÍSTICAS DE LOS SISTEMAS:

- 1 MIC IN**  
Entrada de micrófono balanceada por XLR/jack de 6,3 mm (combo).
- 2 MIC GAIN**  
Ajuste de la ganancia de la entrada de micrófono.
- 3 LINE IN**  
Entrada de línea balanceada por XLR/jack de 6,3 mm (combo).
- 4 LINE GAIN**  
Ajuste de la ganancia de la entrada de línea.
- 5 LINE OUT**  
Salida XLR balanceada para conectar un altavoz activo o una mesa de mezclas. Es una mezcla de las señales MIC IN y LINE IN.
- 6 VOLUME**  
Control del volumen general del bafle.
- 7 TREBLE**  
Girar a la izquierda para reducir las frecuencias altas. Girar a la derecha para aumentar las frecuencias altas.
- 8 BASS**  
Girar a la izquierda para reducir las frecuencias bajas. Girar a la derecha para aumentar las frecuencias bajas.
- 9 LED LIMIT**  
Se ilumina cuando el altavoz se lleva al límite. No es crítico si el LED parpadea brevemente. Si el LED del limitador se ilumina durante más tiempo o de forma continua (se está sobrecargando el sistema), reduzca el nivel de la señal conectada. De lo contrario, se obtendrá un sonido distorsionado y puede que el altavoz se averíe.
- 10 LED POWER**  
Se ilumina cuando el equipo está encendido y el cable eléctrico está correctamente conectado.
- 11 INTERRUPTOR DE ENCENDIDO (POWER)**  
Antes de encender el equipo, sitúe al mínimo todos los controles de nivel.
- 12 CONECTOR DE TENSIÓN (VOLEX)**  
Conexión eléctrica mediante un conector IEC (220 - 240 VAC).  
El equipo se suministra con un cable eléctrico con un conector bloqueable Volex.  
**IMPORTANTE: Al sustituir los fusibles, utilice únicamente fusibles del mismo tipo y características. Si el fusible se fundiera continuamente, póngase en contacto con un servicio técnico autorizado.**

ENGLISH

DEUTSCH

FRANCAIS

ESPAÑOL

POLSKI

ITALIANO

# PANEL POSTERIOR DE SISTEMAS ACTIVOS:

**LDEB122AG<sup>2</sup> (figura)**  
**LDEB152AG<sup>2</sup>**

ENGLISH

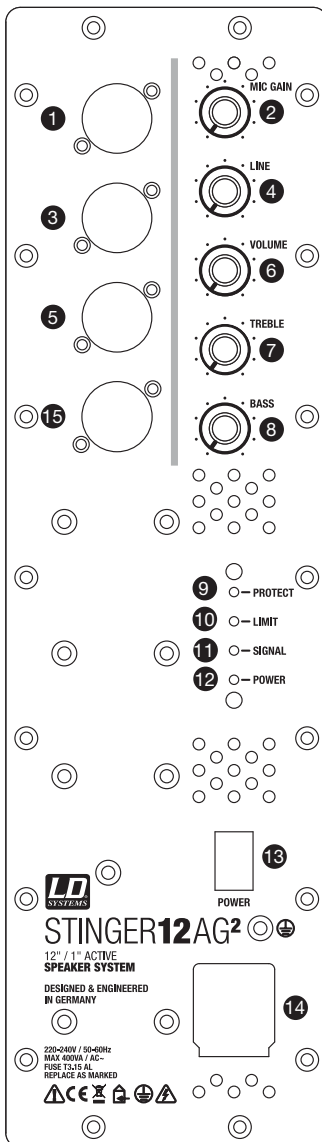
DEUTSCH

FRANCAIS

ESPAÑOL

POLSKI

ITALIANO



## CARACTERÍSTICAS DE LOS SISTEMAS

- 1 MIC IN**  
Entrada de micrófono balanceada por XLR/jack de 6,3 mm (combo).
- 2 MIC GAIN**  
Ajuste de la ganancia de la entrada de micrófono.
- 3 LINE IN**  
Entrada de línea balanceada por XLR/jack de 6,3 mm (combo).
- 4 LINE GAIN**  
Ajuste de la ganancia de la entrada de línea.
- 5 LINE OUT**  
Salida XLR balanceada para conectar un altavoz activo o una mesa de mezclas. Es una mezcla de las señales MIC IN y LINE IN.
- 6 VOLUME**  
Control del volumen general del bafle.
- 7 TREBLE**  
Girar a la izquierda para reducir las frecuencias altas. Girar a la derecha para aumentar las frecuencias altas.
- 8 BASS**  
Girar a la izquierda para reducir las frecuencias bajas. Girar a la derecha para aumentar las frecuencias bajas.
- 9 LED PROTECT**  
Se ilumina en caso de sobrecarga o sobrecalentamiento del equipo.  
En este caso, el amplificador se silenciará de forma automática. El equipo reanudará el funcionamiento normal al cabo de unos minutos.
- 10 LED LIMIT**  
Se ilumina cuando el altavoz se lleva al límite. No es crítico si el LED parpadea brevemente.  
Si el LED del limitador se ilumina durante más tiempo o de forma continua (se está sobrecargando el sistema), reduzca el nivel de la señal conectada. De lo contrario, se obtendrá un sonido distorsionado y puede que el altavoz se averíe.
- 11 LED SIGNAL**  
Se ilumina cuando el equipo recibe señal de audio.
- 12 LED POWER**  
Se ilumina cuando el equipo está encendido y el cable eléctrico está correctamente conectado.
- 13 INTERRUPTOR DE ENCENDIDO (POWER)**  
Antes de encender el equipo, sitúe al mínimo todos los controles de nivel.
- 14 CONECTOR DE TENSIÓN (VOLEX)**  
Conexión eléctrica mediante un conector IEC (220 - 240 VAC).  
El equipo se suministra con un cable eléctrico con un conector bloqueable Volex.  
**IMPORTANTE: Al sustituir los fusibles, utilice únicamente fusibles del mismo tipo y características. Si el fusible se fundiera continuamente, póngase en contacto con un servicio técnico autorizado.**
- 15 SPEAKER OUT**  
Salida compatible Speakon activa que permite conectar un altavoz pasivo de 8 ohmios, por ejemplo un LDEB122G<sup>2</sup> o LDEB152G<sup>2</sup>.

ENGLISH

DEUTSCH

FRANCAIS

ESPAÑOL

POLSKI

ITALIANO

# ESPECIFICACIONES DEL MODELO ACTIVO:

ITALIANO

POLSKI

ESPAÑOL

FRANCAIS

DEUTSCH

ENGLISH

	LDEB82AG2	LDEB102AG2	LDEB122AG2	LDEB152AG2
Producto:	Altavoz de PA	Altavoz de PA	Altavoz de PA	Altavoz de PA
Tipo:	Activo	Activo	Activo	Activo
Tamaño de baffle:	" 8	10	12	15
Tamaño de woofer:	mm 203,2	254	304,8	381
Imán del woofer:	Ferrita	Ferrita	Ferrita	Ferrita
Marca del woofer:	Custom Made	Custom Made	Custom Made	Custom Made
Bobina del woofer:	" 2	2	2,5	3
Bobina del woofer:	mm 50,8	50,8	63,5	70,6
Bocina:	Bocina DC	Bocina DC	Bocina DC	Bocina DC
Tamaño motor agudos:	" 1	1	1	1
Tamaño motor agudos:	mm 25,4	25,4	25,4	25,4
Imán motor agudos:	Ferrita	Ferrita	Ferrita	Ferrita
Marca motor agudos:	BMS	BMS	BMS	BMS
Bobina motor agudos:	" 1	1	1	1
Bobina motor agudos:	mm 25,4	25,4	25,4	25,4
Amplificación:	Clase D, ICEpower 50ASX2	Clase D, ICEpower 50ASX2	Clase D, Hypex Ucd400	Clase D, Hypex Ucd400
Dispersión (H x V):	° 100 x 55	100 x 55	100 x 55	100 x 55
Potencia (RMS):	W 170	170	400	400
Potencia (pico)	W 340	340	800	800
Banda de frecuencias:	Hz 70 -19.000	65 -19.000	58 - 19.000	50 - 19.000
Frecuencia de corte:	Hz 2.200	2.400	1.800	1.800
Máx. SPL continuo:	dB 116	117	118	120

Máx. SPL pico:	dB	129	130	132	134
Protección:		Tweeter, cortocircuito, sobretensión	Tweeter, cortocircuito, sobretensión	Tweeter, sobrein-tensidad, sobretensión	Tweeter, sobrein-tensidad, sobretensión
Controles:		Mic Gain, Line Gain, Volume, Treble, Bass, Power	Mic Gain, Line Gain, Volume, Treble, Bass, Power	Mic Gain, Line Gain, Volume, Treble, Bass, Power	Mic Gain, Line Gain, Volume, Treble, Bass, Power
Indicadores LED:		Limit, Power	Limit, Power	Protect, Limit, Signal, Power	Protect, Limit, Signal, Power
Conector entrada de línea:		XLR/jack (combo)	XLR/jack (combo)	XLR/jack (combo)	XLR/jack (combo)
Conector entrada de micro:		XLR/jack (combo)	XLR/jack (combo)	XLR/jack (combo)	XLR/jack (combo)
Conector salida de línea:		XLR	XLR	XLR	XLR
Conector salida de altavoz:		-	-	compatible Speakon / 8 ohmios	compatible Speakon / 8 ohmios
Alimentación:		220-240 VAC	220-240 VAC	220-240 VAC	220-240 VAC
Material de la caja:		Contrachapado de 15 mm	Contrachapado de 15 mm	Contrachapado de 15 mm	Contrachapado de 15 mm
Acabado de la caja:		Texturizado	Texturizado	Texturizado	Texturizado
Diseño del baffle:		Bass reflex	Bass reflex	Bass reflex	Bass reflex
Ángulo de monitor:	°	-	54°	54°	54°
Dimensiones (An x Al x F):	mm	270 x 450 x 290	320 x 500 x 290	390 x 570 x 370	480 x 650 x 460
Peso:	kg	11	12,7	21	28,5
Características:		Asas ergonómicas, rosca de unión M10 para Super Clamp, soporte de aluminio (36 mm)	Asas ergonómicas, rosca de unión M10 para Super Clamp, soporte de aluminio (36 mm)	Asas Evolutive de LD Systems, soporte SM707 (36 mm), 6 puntos de volado M8	Asas Evolutive de LD Systems, soporte SM707 (36 mm), 6 puntos de volado M8

Dado que trabajamos constantemente en mejorar nuestros productos, las especificaciones técnicas pueden variar sin previo aviso.

ITALIANO

POLSKI

ESPAÑOL

FRANCAIS

DEUTSCH

ENGLISH

## PANEL POSTERIOR SISTEMAS PASIVOS:

LDEB82G<sup>2</sup>  
LDEB102G<sup>2</sup>  
LDEB122G<sup>2</sup> (figura)  
LDEB152G<sup>2</sup>

ENGLISH

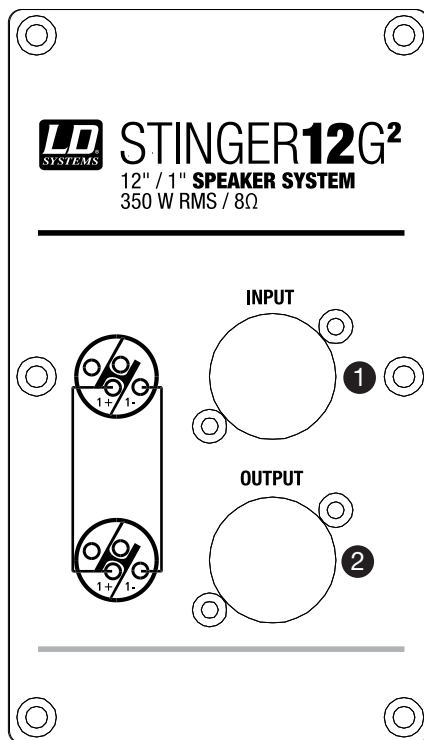
DEUTSCH

FRANCAIS

ESPAÑOL

POLSKI

ITALIANO



## PANEL POSTERIOR SISTEMAS PASIVOS:

### ① INPUT

Entrada compatible Speakon.

### ② OUTPUT

Salida compatible Speakon (conectada en paralelo con la entrada compatible Speakon 1+/1-)

ENGLISH

DEUTSCH

FRANCAIS

ESPAÑOL

POLSKI

ITALIANO

## ESPECIFICACIONES DEL MODELO PASIVO:

ITALIANO

POLSKI

ESPAÑOL

FRANCAIS

DEUTSCH

ENGLISH

	LDEB82G2	LDEB102G2	LDEB122G2	LDEB152G2
Producto:	Altavoz de PA	Altavoz de PA	Altavoz de PA	Altavoz de PA
Tipo:	Pasivo	Pasivo	Pasivo	Pasivo
Tamaño de woofer:	" 8	10	12	15
Tamaño de woofer:	mm 203,2	254	304,8	381
Imán del woofer:	Ferrita	Ferrita	Ferrita	Ferrita
Marca del woofer:	Custom Made	Custom Made	Custom Made	Custom Made
Bobina del woofer:	" 2	2	2,5	3
Bobina del woofer:	mm 50,8	50,8	63,5	70,6
Bocina:	Bocina DC	Bocina DC	Bocina DC	Bocina DC
Tamaño motor agudos:	" 1	1	1	1
Tamaño motor agudos:	mm 25,4	25,4	25,4	25,4
Imán motor agudos:	Ferrita	Ferrita	Ferrita	Ferrita
Marca motor agudos:	BMS	BMS	BMS	BMS
Bobina motor agudos:	" 1	1	1	1
Bobina motor agudos:	mm 25,4	25,4	25,4	25,4
Dispersión (H x V):	° 100 x 55	100 x 55	100 x 55	100 x 55
Potencia (RMS):	W 200	250	350	500
Potencia (pico)	W 400	500	700	1.000
Banda de frecuencias:	Hz 70 - 19.000	65 - 19.000	58 - 19.000	50 - 19.000
Frecuencia de corte:	Hz 2.200	2.400	1.800	1.800
SPL (1 W a 1 m):	dB 95	96	99	100



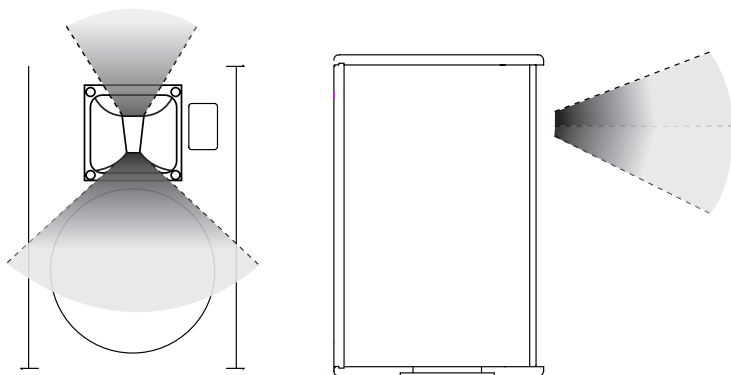
Máx. SPL continuo:	dB	118	120	125	127
Impedancia:	Ohmios	8	8	8	8
Protección:		Tweeter	Tweeter	Tweeter	Tweeter
Conector entrada de altavoz:		compatible Speakon			
Conector salida de altavoz:					
Material de la caja:		Contrachapado de 15 mm	Contrachapado de 15 mm	Contrachapado de 15 mm	Contrachapado de 15 mm
Acabado de la caja:		Texturizado	Texturizado	Texturizado	Texturizado
Diseño del baffle:		Bass reflex	Bass reflex	Bass reflex	Bass reflex
Ángulo de monitor:	°	-	54°	54°	54°
Dimensiones (An x Al x F):	mm	270 x 450 x 290	320 x 500 x 290	390 x 570 x 370	480 x 650 x 460
Peso:	kg	10 kg	11,5 kg	19 kg	25,5 kg
Características:		Asas ergonómicas, rosca de unión M10 para Super Clamp, soporte de aluminio (36 mm)	Asas ergonómicas, rosca de unión M10 para Super Clamp, soporte de aluminio (36 mm)	Asas Evolutive de LD Systems, soporte SM707 (36 mm), 6 puntos de volado M8	Asas Evolutive de LD Systems, soporte SM707 (36 mm), 6 puntos de volado M8

Dado que trabajamos constantemente en mejorar nuestros productos, las especificaciones técnicas pueden variar sin previo aviso.

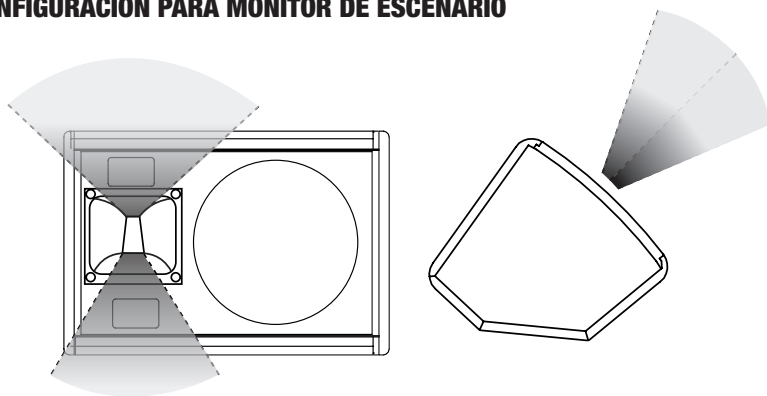
## CONFIGURACIÓN DE LA BOCINA:

Para LDEB102(A)G<sup>2</sup>, LDEB122(A)G<sup>2</sup>, LDEB152(A)G<sup>2</sup>

### CONFIGURACIÓN PARA FRONT OF HOUSE



### CONFIGURACIÓN PARA MONITOR DE ESCENARIO



En la configuración para Front of House, la pequeña abertura de la bocina de agudos deberá orientarse hacia abajo.

En la configuración para monitor de escenario, la bocina de agudos deberá girarse 90°, con la pequeña abertura orientada hacia arriba.

Retire la rejilla frontal y afloje los 4 tornillos de la bocina de agudos. Gire 90° la bocina de agudos y apriete los 4 tornillos. Luego vuelva a colocar la rejilla frontal.

ENGLISH

DEUTSCH

FRANCAIS

ESPAÑOL

POLSKI

ITALIANO

# INSTALACIÓN Y MONTAJE:

## ACCESORIOS DE VOLADO

Se recomienda emplear el sargento universal y tornillo correspondiente Adam Hall SCP710B + SS018 para los modelos LDEB82(A)G<sup>2</sup> y LDEB102(A)G<sup>2</sup>.

Los modelos LDEB122(A)G<sup>2</sup> y LDEB152(A)G<sup>2</sup> están equipados con 6 puntos de volado M8.

Para instalarlos, se recomienda emplear el cáncamo roscado macho M8 LDVSE de LD Premium.

LDEB82(A)G<sup>2</sup> y LDEB102(A)G<sup>2</sup>



**LDEB82G2B / LDEB102G2B**  
Funda protectora



**LDEB82G2WB / LDEB102G2WB**  
Soporte de montaje mural



**SCP710B**  
Sargento universal con empuñadura



**SS018**  
Tornillo M10 de 16 mm

ENGLISH

DEUTSCH

FRANCAIS

ESPAÑOL

POLSKI

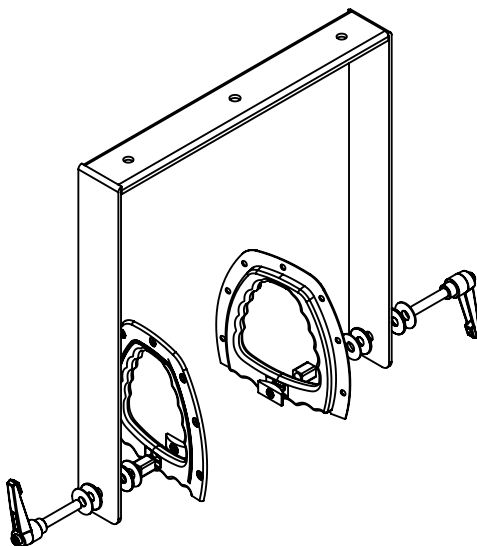
ITALIANO

## ACCESORIOS:

LDEB122(A)G<sup>2</sup> y LDEB152(A)G<sup>2</sup>



**LDEB122G2B / LDEB152G2B**  
Funda protectora



**LDEB122G2SB / LDEB152G2SB**  
Soporte de ajuste horizontal

ENGLISH

DEUTSCH

FRANCAIS

ESPAÑOL

POLSKI

ITALIANO

## ACCESORIOS UNIVERSALES:



**SMBS5**  
Soporte de pared



**SPS023S / SPS023**  
Soporte de altavoz



**SPS023SET**  
Set 2 soportes de baffle con bolsa

**SPS023SET2**  
Set 2 soportes de baffle con bolsa y  
2 cables compatible Speakon

ENGLISH

DEUTSCH

FRANCAIS

ESPAÑOL

POLSKI

ITALIANO

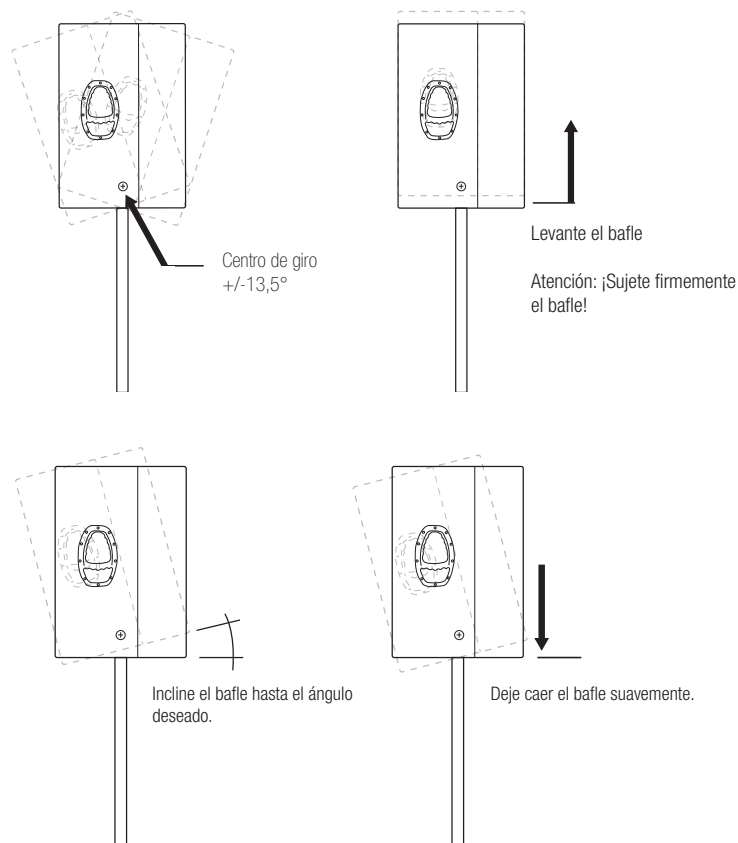
## INSTALACIÓN Y MONTAJE:

### AJUSTE DEL VASO DEL SOPORTE DE BAFLE SM707 (SOLO LDEB122(A)G<sup>2</sup> y LDEB152(A)G<sup>2</sup>)

El vaso integrado y patentado para soporte de baffle, modelo SM707, ofrece varias posibilidades para ajustar el ángulo.

El SM707 permite inclinaciones de  $\pm 13,5^\circ$  en pasos de  $4,5^\circ$ .

Levante ligeramente el baffle para desbloquear el mecanismo de bloqueo (aproximadamente 1/2 cm), inclínelo hasta el ángulo deseado y deje caer de nuevo suavemente el baffle en el soporte.



ENGLISH

DEUTSCH

FRANCAIS

ESPAÑOL

POLSKI

ITALIANO

## DECLARACIÓN DEL FABRICANTE:

### GARANTÍA LIMITADA

Esta garantía limitada se aplica a los productos de la marca Adam Hall, LD Systems, LD Premium, Defender, Palmer, Cameo y Eminence.

No afecta a los derechos de garantía legal que asume el vendedor. De hecho, le concede al usuario derechos adicionales ante Adam Hall, independientes de la garantía legal.

Adam Hall garantiza que el producto que ha adquirido de Adam Hall o de cualquier distribuidor autorizado de Adam Hall estará exento de defectos de material y mano de obra, en condiciones normales de uso, durante un período de 2 o 5 años a partir de la fecha de compra.

La garantía limitada entra en vigor el día de la fecha de compra. Para tener derecho a esta garantía será necesario presentar un justificante de compra válido en el que figure la fecha de compra del producto, por ejemplo, la factura o el albarán de entrega. Si el producto que ha adquirido necesitara una reparación durante la vigencia de la garantía limitada, tendrá derecho a obtener los servicios de garantía conforme a los términos y condiciones establecidos en este documento.

Esta garantía limitada se aplica únicamente al comprador original de este producto de Adam Hall y no se puede transferir a terceras personas a las que el comprador haya cedido la propiedad del producto. Durante el periodo de garantía limitada, Adam Hall se compromete a reparar o sustituir las piezas defectuosas del producto. Todas las piezas o componentes retirados durante la reparación pasarán a ser propiedad de Adam Hall.

En el caso poco probable de que se produzca un fallo recurrente en el producto adquirido, Adam Hall, a su entera discreción, podrá optar por sustituir dicho producto por otro de similares características.

Adam Hall no garantiza el funcionamiento ininterrumpido y sin fallos de este producto. Adam Hall no se hace responsable de los posibles daños ocasionados por no seguir las instrucciones de uso suministradas con el producto Adam Hall.

Esta garantía limitada no se aplica:

- en caso de desgaste normal de los consumibles (baterías, etc.)
- a los productos cuyo número de serie ha sido borrado, o que han quedado dañados y defectuosos debido a un accidente
- en caso de defectos ocasionados por una incorrecta utilización o manipulación, o cualquier otra causa ajena
- en caso de utilización del producto no conforme con los parámetros establecidos en la documentación facilitada con el producto
- en caso de utilización de piezas de repuesto no fabricadas o vendidas por Adam Hall
- si el producto ha sido modificado o reparado por personal no autorizado por Adam Hall

Estos términos y condiciones constituyen el acuerdo de garantía íntegro y exclusivo entre usted y Adam Hall en relación con el producto Adam Hall que acaba de adquirir.

ENGLISH

DEUTSCH

FRANÇAIS

ESPAÑOL

POLSKI

ITALIANO

## DECLARACIÓN DEL FABRICANTE:

ENGLISH

### LIMITACIÓN DE RESPONSABILIDAD

Si su producto Adam Hall no funciona de acuerdo con las garantías mencionadas arriba, tendrá derecho exclusivamente a la reparación o sustitución del mismo. La responsabilidad máxima de Adam Hall en virtud de los términos de esta garantía está limitada al menor importe que resulte del precio de compra del producto, del coste de la reparación o la sustitución de las piezas que han dejado de funcionar en condiciones normales de uso.

Adam Hall no será responsable de cualquier daño causado por el producto o por el mal funcionamiento del producto, incluidas la pérdida de ganancias, la pérdida de ahorros o cualquier consecuencia derivada de dichas pérdidas. Adam Hall no se hará responsable de ninguna reclamación presentada por un tercero o por el comprador inicial en nombre de un tercero.

Esta limitación de responsabilidad se aplicará con independencia de que se solicite una indemnización por daños y perjuicios, o se presenten reclamaciones por negligencia, contractuales o de cualquier otra índole, y no podrá ser derogada o modificada. Esta limitación de responsabilidad será efectiva incluso en el caso de que el comprador hubiese avisado previamente a Adam Hall o a alguno de sus representantes de la posibilidad de reclamar daños y perjuicios. No obstante, esta limitación de responsabilidad no tendrá efecto en caso de reclamación por daños personales.

Esta garantía limitada le otorga derechos legales específicos. Puede que posea derechos adicionales conforme a la legislación del país o Estado en el que se encuentre. Le recomendamos que consulte la legislación vigente en su país o Estado para conocer el alcance de sus derechos.

### APLICACIÓN DE LA GARANTÍA

Para solicitar asistencia técnica en relación con el producto en garantía, póngase en contacto con Adam Hall o con el distribuidor autorizado donde adquirió el producto.

### ELIMINACIÓN CORRECTA DE ESTE PRODUCTO (DESECHOS ELÉCTRICOS)

(Aplicable en la Unión Europea y en los países europeos que dispongan de un sistema de recogida selectiva)



El símbolo que aparece sobre el producto o en la documentación adjunta indica que, al final de su vida útil, no deberá desecharse con los demás residuos domésticos. Para evitar posibles efectos negativos en el medio ambiente y en la salud humana debidos al vertido incontrolado de desechos, no mezcle este producto con los demás residuos. La recogida selectiva ayuda a su posterior reciclaje y fomenta la reutilización sostenible de los componentes de este equipo.

Si usted es un particular, deberá ponerse en contacto con el distribuidor donde adquirió este producto, o con el ayuntamiento, para informarse sobre el reciclaje adecuado de este equipo.

Si usted es una empresa, deberá ponerse en contacto con su proveedor e informarse sobre los términos y condiciones de su contrato de compra-venta. Este producto no debe mezclarse con otros residuos industriales.

DEUTSCH

FRANCAIS

ESPAÑOL

POLSKI

ITALIANO



## DECLARACIÓN SOBRE WEEE

Este producto LD-Systems se ha desarrollado y fabricado con materiales y componentes de alta calidad que se pueden reciclar o reutilizar. Este símbolo indica que los equipos eléctricos y electrónicos deben separarse del resto de residuos comunes al final de su vida útil.

Para desechar este producto, llévalo al punto de recogida municipal o al centro de reciclaje específico para este tipo de equipos. De este modo, contribuirá a proteger el medioambiente.

## PILAS Y ACUMULADORES

Las pilas suministradas o las pilas recargables se pueden reciclar. Para desecharlas, deposítelas en un contenedor especial o entréguelas a su proveedor especializado. Para proteger el medioambiente, deseche sólo pilas gastadas.

## ECOLOGÍA Y AHORRO ENERGÉTICO

Ahorre energía eléctrica para proteger el medio ambiente. Para ello, apague todos los aparatos eléctricos cuando no estén en uso. Además, para evitar el consumo de energía en modo inactivo, desconecte todo aparato eléctrico de la toma de corriente cuando no esté en uso.

Adam Hall GmbH. Todos los derechos reservados. Los datos técnicos y las características funcionales del producto están sujetos a modificaciones. Se prohíbe la fotocopia, traducción y cualquier otra forma de reproducción parcial o total de este manual de usuario.

ENGLISH

DEUTSCH

FRANCAIS

ESPAÑOL

POLSKI

ITALIANO



ENGLISH

DEUTSCH

FRANCAIS

ESPAÑOL

POLSKI

ITALIANO

## Dziękujemy za wybór LD Systems!

Zaprojektowaliśmy ten produkt tak, aby działał sprawnie przez wiele lat. LD-Systems gwarantuje wysoką jakość produktów swoją marką i wieloma latami doświadczenia jako producent.

Prosimy abyś zapoznał się dokładnie z niniejszą instrukcją, ponieważ chcemy abyś szybko mógł cieszyć się w pełni swoim nowym produktem LD Systems.

Więcej informacji na temat LD Systems znajdziesz na naszej stronie internetowej: [WWW.LD-SYSTEMS.COM](http://WWW.LD-SYSTEMS.COM)

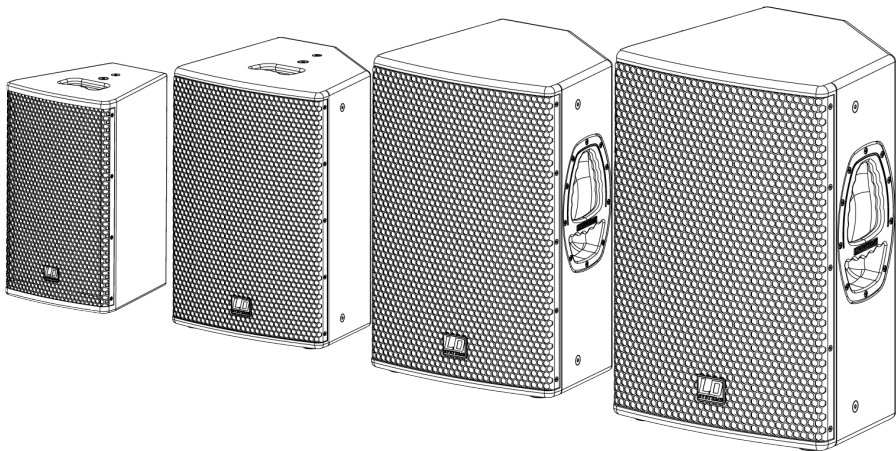
## Wstęp

Głośniki serii LD Systems Stinger G<sup>2</sup> przeznaczone są do zastosowań profesjonalnych. Znakomity dźwięk przy wysokim poziomie ciśnienia akustycznego, doskonały serwis oraz elementy najwyższej jakości, a wszystko to w dobrej cenie: to właśnie cechy głośników Stinger serii G2 firmy LD Systems.

Seria ta składa się z czterech aktywnych dwudrożnych kolumn o rozmiarach: 8, 10, 12 i 15 cali oraz czterech pasywnych kolumn o mniejszym rozmiarze. Elastyczność zastosowań oraz niezawodność sprawiają, że głośniki Stinger serii G2 firmy LD Systems są doskonałym wyborem jeśli masz na celu profesjonalne wzmocnienie dźwięku.

# LD **STINGER SERII G<sup>2</sup>**

SYSTEMY **AKTYWNE I PASYWNE**



ENGLISH

DEUTSCH

FRANCAIS

ESPAÑOL

POLSKI

ITALIANO

## ŚRODKI OSTROŻNOŚCI:

ENGLISH

DEUTSCH

FRANCAIS

ESPAÑOL

POLSKI

ITALIANO

1. Uważnie przeczytaj poniższe informacje.
2. Przechowuj wszystkie informacje i instrukcje w bezpiecznym miejscu.
3. Postępuj zgodnie z instrukcją obsługi.
4. Przestrzegaj wszystkich ostrzeżeń. Nie usuwaj instrukcji bezpieczeństwa ani żadnych innych informacji umieszczonych na urządzeniu.
5. Używaj urządzenia tylko zgodnie z jego przeznaczeniem.
6. Gdy urządzenie montowane jest na stałe, używaj wyłącznie stabilnych stojaków i/lub uchwytów ściennych, odpowiednich dla danego urządzenia. Sprawdź, czy uchwyty ścienne są właściwie zamocowane. Upewnij się, że urządzenie jest bezpiecznie zamocowane i nie występuje ryzyko jego upadku.
7. Podczas montowania przestrzegaj odpowiednich norm bezpieczeństwa obowiązujących w twoim kraju.
8. Nie montuj urządzenia w pobliżu kaloryferów, akumulatorów ciepła, pieców lub innych źródeł ciepła. Upewnij się, że urządzenie jest zamontowane w sposób, który umożliwi mu wystarczające chłodzenie i przy którym nie istnieje możliwość jego przegrzania.
9. Nie umieszczaj otwartych źródeł zapłonu (np. płonących świec) na urządzeniu.
10. Nie przykrywaj otworów wentylacyjnych.
11. Nie korzystaj z urządzenia w bezpośrednim sąsiedztwie wody. Nie wystawiaj tego urządzenia na działanie materiałów, płynów lub gazów palnych.
12. Upewnij się, że rozbryzgi lub krople wody nie dostają się do wnętrza urządzenia. Nie umieszczaj przedmiotów wypełnionych płynami, takich jak wazy lub naczynia do picia, na urządzeniu.
13. Upewnij się, że żadne przedmioty nie mogą wpaść do wnętrza urządzenia.
14. Używaj urządzenia wyłącznie z akcesoriami przeznaczonymi do tego celu przez producenta.
15. **UWAGA:** Jeśli urządzenie to posiada złączkę zasilania sieciowego, wyposażoną w uzziemienie ochronne, musi ono być podłączone do gniazda zasilania sieciowego z obwodem uziemiającym. Nigdy nie omijaj obwodu uziemiającego w dostarczonym przewodzie zasilającym.
16. Nie włączaj urządzenia natychmiast po narażeniu go na duże wahania temperatur (np. po transportowaniu go). Wilgoć i skraplanie mogą uszkodzić urządzenie. Nie włączaj urządzenia do momentu, gdy osiągnie ono temperaturę pokojową.
17. Nie otwieraj urządzenia i nie wprowadzaj do niego żadnych zmian.
18. Przed podłączeniem urządzenia do zasilania sieciowego, upewnij się, że napięcie i częstotliwość zasilania są takie same, jak robocze wartości urządzenia (patrz: etykieta odnośnie typu). Jeśli urządzenie posiada przełącznik wybierakowy napięcia zasilającego upewnij się, że wartości ustawione na urządzeniu odpowiadają wartościom zasilania sieciowego, przed jego podłączeniem.  
Jeśli wtyczka dołączonego przewodu nie pasuje do twojego gniazdka zasilania sieciowego, skontaktuj się z elektrykiem.
19. Unikaj stawania na przewodzie zasilającym. Zapobiegaj ściskaniu przewodu zasilającego, zwłaszcza w okolicach gniazda zasilania w urządzeniu i ściennego gniazda zasilania.
20. Aby zapobiec uszkodzeniu urządzenia i wypadkom spowodowanym, między innymi, potknięciem, sprawdzaj wszystkie połączenia urządzenia po jego podłączeniu.
21. Przy podłączaniu urządzenia upewnij się, że gniazdo zasilania jest łatwo dostępne. Gdy nie używasz urządzenia lub gdy je czyścisz zawsze odłączaj wtyczkę zasilania. Przewód zasilający odłączaj przez pociągnięcie wtyczki, a nie kabla.
22. Unikaj włączania i wyłączania urządzenia w krótkich odstępach czasu, ponieważ może to skrócić okres jego użytkowania.

## ŚRODKI OSTROŻNOŚCI:

23. WAŻNE: Bezpiecznik wymieniaj wyłącznie na bezpiecznik tego samego rodzaju i o tej samej wartości znamionowej. Jeśli bezpiecznik wielokrotnie przepala się, należy skontaktować się z autoryzowanym serwisem.
24. Aby całkowicie odłączyć urządzenie od zasilania, należy wyciągnąć wtyk z gniazda zasilania.
25. Jeśli twoje urządzenie jest wyposażone w złącze zasilania Volex, odpowiadająca mu wtyczka urządzenia Volex powinna być odblokowana, aby ją odłączyć. Oznacza to także, że pociągnięcie za przewód zasilający może spowodować przesunięcie urządzenia, a w konsekwencji uszkodzenia ciała i mienia. Dołóż wszelkich starań w celu odpowiedniego poprowadzenia przewodów zasilających.
26. Odłącz wtyczkę, jeśli istnieje ryzyko uderzenia piorunu lub podczas długich okresów nieużywania.
27. Podczas transportu upewnij się, że i nie istnieje możliwość przewrócenia się transportowanego sprzętu i uszkodzenia ciała i mienia.
28. Jeśli urządzenie nie działa prawidłowo, zostało narażone na działanie płynów, przedmiot znalazł się we wnętrzu obudowy lub nastąpiło innego rodzaju uszkodzenie urządzenia, niezwłocznie wyłącz urządzenie i odłącz od źródła zasilania. Urządzenie może być naprawiane wyłącznie przez autoryzowanych specjalistów.
29. Czyść urządzenie wyłącznie za pomocą suchej szmatki.
30. Przestrzegaj wszystkich krajowych przepisów związanych z utylizacją odpadów. Podczas utylizacji oddziel plastik od papieru/tektury.
31. Plastikowe torby należy przechowywać w miejscu niedostępnym dla dzieci.



### UWAGA:

Aby zmniejszyć zagrożenie porażeniem elektrycznym, nie zdejmuj pokrywy (lub tylnej części obudowy). Wewnątrz nie znajdują się części, które użytkownik mógłby samodzielnie naprawić. Pozostaw obsługę serwisową wykwalifikowanym fachowcom.



Symbol błyskawicy ze strzałką wpisany w trójkąt ostrzega użytkownika przed obecnością nieizolowanego "niebezpiecznego napięcia" wytworzonego w obrębie obudowy wyrobu, które może stanowić zagrożenie dla człowieka.



Znak wykrzyknika wewnątrz trójkąta równobocznego zwraca uwagę użytkownika na umieszczone w dokumentach dostarczonych wraz z produktem instrukcje zawierające ważne wskazówki odnośnie obsługi lub konserwacji (serwisu) urządzenia.

### OSTRZEŻENIE! WYSOKI POZIOM GŁOŚNOŚCI!

Opiswany system transmisyjny jest przeznaczony do zastosowań profesjonalnych. W związku z tym komercyjne użytkowanie tego sprzętu podlega zasadom i przepisom bezpieczeństwa, właściwym dla danego sektora działalności, w tym regulacjom określonym przez towarzystwa ubezpieczeniowe. Przepisy nakładają na firmę Adam Hall, jako na wytwórcę, obowiązek poinformowania użytkownika o istnieniu potencjalnych zagrożeń dla zdrowia.

Głośniki mogą z łatwością wygenerować wystarczający poziom ciśnienia akustycznego (SPL), by trwale uszkodzić słuch artystów, członków ekipy produkcyjnej oraz publiczności. Należy podjąć stosowne środki bezpieczeństwa, aby uniknąć długotrwałego działania ciśnienia akustycznego, przekraczającego poziom 90 dB.

# GŁOŚNIK AKTYWNY PANEL TYLNY:

**LDEB82AG<sup>2</sup>**  
**LDEB102AG<sup>2</sup>** (na rysunku)

ENGLISH

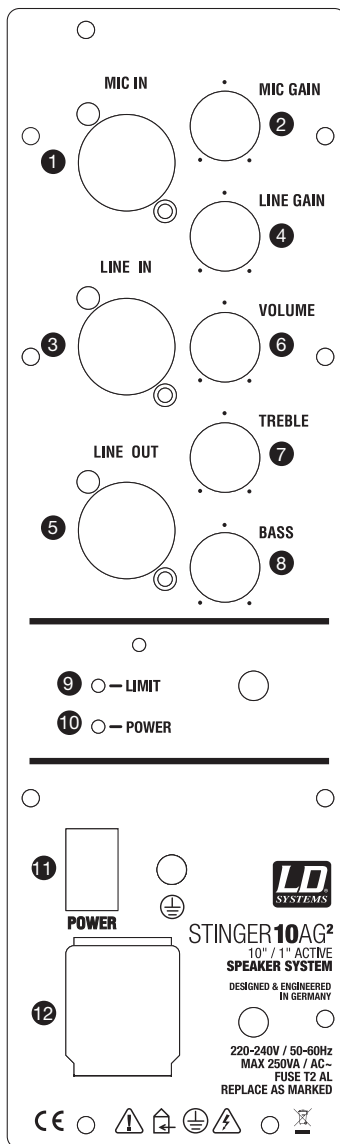
DEUTSCH

FRANCAIS

ESPAÑOL

POLSKI

ITALIANO



## GŁOŚNIK AKTYWNY ELEMENTY SYSTEMU:

- 1 MIC IN**  
Zrównoważone złącze mikrofonowe XLR/6,3 mm jack (combo).
- 2 MIC GAIN**  
Regulacja wzmocnienia dla złącza mikrofonowego.
- 3 LINE IN**  
Zrównoważone wejście liniowe XLR/6,3 mm jack (combo).
- 4 LINE GAIN**  
Regulacja wzmocnienia dla wejścia liniowego.
- 5 LINE OUT**  
Zrównoważone wyjście XLR, które pozwala na połączenie kolejnego aktywnego głośnika lub miksera. Połączenie sygnałów z wejść MIC IN i LINE IN.
- 6 VOLUME**  
Główny regulator głośności kolumn.
- 7 TREBLE**  
Przekręć w lewo, aby zmniejszyć wysokie częstotliwości. Przekręć w prawo, aby zwiększyć wysokie częstotliwości.
- 8 BASS**  
Przekręć w lewo, aby zmniejszyć niskie częstotliwości. Przekręć w prawo, aby zwiększyć niskie częstotliwości.
- 9 DIODA LIMIT**  
Zapala się, gdy głośnik pracuje na granicy wytrzymałości. Krótkotrwałe błyski diody nie powodują niebezpieczeństwa. Jeśli dioda ogranicznika świeci się dłużej niż przez krótką chwilę lub nieustannie (=przeciążanie systemu), należy zmniejszyć głośność podłączonego źródła sygnału. Nieprzestrzeganie tego zalecenia może spowodować uszkodzenie urządzenia i emitowanie nieprzyjemnego, przesterowanego dźwięku.
- 10 DIODA POWER**  
Zapala się gdy podłączono zasilanie i gdy przewód zasilania sieciowego jest właściwie podłączony.
- 11 WŁĄCZNIK ZASILANIA**  
Przed włączeniem zasilania, wszystkie regulatory poziomów powinny być ustawione na minimum.
- 12 GNIAZDO ZASILANIA (WTYCZKA ZASILANIA VOLEX)**  
Połączenie gniazda elektrycznego ze złączem IEC (220 - 240 V AC). Przewód zasilania wyposażony w złącze Volex z opcją blokowania jest dostarczany wraz z tym urządzeniem.  
**WAŻNE: Bezpiecznik wymieniaj wyłącznie na bezpiecznik tego samego rodzaju i o tej samej wartości znamionowej. Jeśli bezpiecznik wielokrotnie przepala się, należy skontaktować się z autoryzowanym serwisem.**

ENGLISH

DEUTSCH

FRANCAIS

ESPAÑOL

POLSKI

ITALIANO

# GŁOŚNIK AKTYWNY PANEL TYLNY:

**LDEB122AG<sup>2</sup> (na rysunku)**  
**LDEB152AG<sup>2</sup>**

ENGLISH

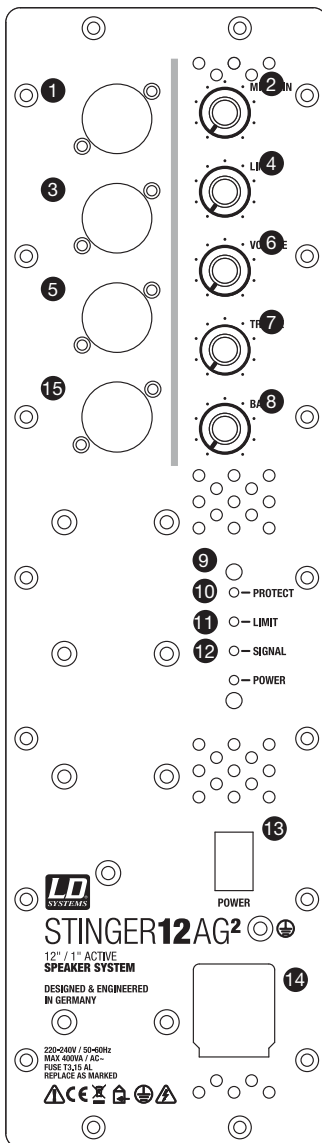
DEUTSCH

FRANCAIS

ESPAÑOL

POLSKI

ITALIANO





## GŁOŚNIK AKTYWNY ELEMENTY SYSTEMU:

### 1 MIC IN

Zrównoważone złącze mikrofonowe XLR/6,3 mm jack (combo).

### 2 MIC GAIN

Regulacja wzmocnienia dla złącza mikrofonowego.

### 3 LINE IN

Zrównoważone wejście liniowe XLR/6,3 mm jack (combo).

### 4 LINE GAIN

Regulacja wzmocnienia dla wejścia liniowego.

### 5 LINE OUT

Zrównoważone wyjście XLR, które pozwala na połączenie kolejnego aktywnego głośnika lub miksera. Połączenie sygnałów z wejść MIC IN i LINE IN.

### 6 VOLUME

Główny regulator głośności kolumn.

### 7 TREBLE

Przekręć w lewo, aby zmniejszyć wysokie częstotliwości. Przekręć w prawo, aby zwiększyć wysokie częstotliwości.

### 8 BASS

Przekręć w lewo, aby zmniejszyć niskie częstotliwości. Przekręć w prawo, aby zwiększyć niskie częstotliwości.

### 9 DIODA PROTECT LED

Dioda zapala się w przypadku przeciążenia/przegrzewania się urządzenia.

Wzmacniacz automatycznie przechodzi w tryb wyciszenia. W normalnych warunkach urządzenie powróci do trybu działania po kilku minutach.

### 10 DIODA LIMIT

Zapala się, gdy głośnik pracuje na granicy wytrzymałości. Krótkotrwałe błyski diody nie powodują niebezpieczeństwa.

Jeśli dioda ogranicznika świeci się dłużej niż przez krótką chwilę lub nieustannie (=przeciążenie systemu), należy zmniejszyć głośność podłączonego źródła sygnału. Nieprzestrzeganie tego zalecenia może spowodować uszkodzenie urządzenia i emitowanie nieprzyjemnego, przesterowanego dźwięku.

### 11 DIODA SIGNAL

Świeci, gdy urządzenie odbiera sygnał audio.

### 12 DIODA POWER

Zapala się gdy podłączono zasilanie i gdy przewód zasilania sieciowego jest właściwie podłączony.

### 13 WŁĄCZNIK ZASILANIA

Przed włączeniem zasilania, wszystkie regulatory poziomów powinny być ustawione na minimum.

### 14 GNIAZDO ZASILANIA (WTYCZKA ZASILANIA VOLEX)

Połączenie gniazda elektrycznego ze złączem IEC (220 - 240 V AC).

Przewód zasilania wyposażony w złącze Volex z opcją blokowania jest dostarczany wraz z tym urządzeniem.

**WAŻNE: Bezpiecznik wymieniaj wyłącznie na bezpiecznik tego samego rodzaju i o tej samej wartości znamionowej. Jeśli bezpiecznik wielokrotnie przepala się, należy skontaktować się z autoryzowanym serwisem.**

### 15 SPEAKER OUT

Zasilane wyjście Speakon kompatybilne, które umożliwiła połączenie pasywnej kolumny o rezystancji 8 omów, na przykład: LDEB122G<sup>2</sup> or LDEB152G<sup>2</sup>.

ENGLISH

DEUTSCH

FRANCAIS

ESPAÑOL

POLSKI

ITALIANO

# SPECYFIKACJE KOLUMNY AKTYWNEJ:

ITALIANO

POLSKI

ESPAÑOL

FRANCAIS

DEUTSCH

ENGLISH

	LDEB82AG2	LDEB102AG2	LDEB122AG2	LDEB152AG2
Rodzaj produktu:	Głośnik PA	Głośnik PA	Głośnik PA	Głośnik PA
Typ:	Aktywny	Aktywny	Aktywny	Aktywny
Rozmiar subwoofera:	Call: 8	10	12	15
Rozmiar subwoofera:	mm 203,2	254	304,8	381
Magnes użyty w subwooferze:	Ferrytowy	Ferrytowy	Ferrytowy	Ferrytowy
Marka subwoofera:	Produktowany na zamówienie	Produktowany na zamówienie	Produktowany na zamówienie	Produktowany na zamówienie
Cewka drgająca subwoofera:	Call: 2	2	2,5	3
Cewka drgająca subwoofera:	mm 50,8	50,8	63,5	70,6
Tuba:	Tuba o stałej kierunkowości	Tuba o stałej kierunkowości	Tuba o stałej kierunkowości	Tuba o stałej kierunkowości
Rozmiar głośnika wysokotonowego:	Call: 1	1	1	1
Rozmiar głośnika wysokotonowego:	mm 25,4	25,4	25,4	25,4
Magnes głośnika wysokotonowego:	Ferrytowy	Ferrytowy	Ferrytowy	Ferrytowy
Rodzaj głośnika wysokotonowego:	BMS	BMS	BMS	BMS
Cewka drgająca głośnika wysokotonowego:	Call: 1	1	1	1
Cewka drgająca głośnika wysokotonowego:	mm 25,4	25,4	25,4	25,4
Wzmocnienie:	Klasa D, ICEpower 50ASX2	Klasa D, ICEpower 50ASX2	Klasa D, Hypex Ucd400	Klasa D, Hypex Ucd400
Dispersja (H x V):	o 100 x 55	100 x 55	100 x 55	100 x 55
Moc wyjściowa (RMS):	W 170	170	400	400
Moc wyjściowa (szczytowa):	W 340	340	800	800
Zakres częstotliwości:	Hz 70 -19,000	65 -19,000	58 - 19000	50 - 19000
Częstotliwość graniczna:	Hz 2,200	2,400	1,800	1,800
Maksymalny ciągły poziom ciśnienia akustycznego:	dB 116	117	118	120

Maksymalny szczytowy poziom ciśnienia akustycznego:	129	130	132	134
Ochrona:	głośnik wysokotonowy, zwarcie, przepięcie	głośnik wysokotonowy, zwarcie, przepięcie	głośnik wysokotonowy, przepięcie, przepięcie	głośnik wysokotonowy, przepięcie, przepięcie
Regulacja:	Mic Gain, Line Gain, Volume, Treble, Bass, Power	Mic Gain, Line Gain, Volume, Treble, Bass, Power	Mic Gain, Line Gain, Volume, Treble, Bass, Power	Mic Gain, Line Gain, Volume, Treble, Bass, Power
Wskaźniki:	Limit, Power	Limit, Power	Protect, Limit, Signal, Power	Protect, Limit, Signal, Power
Złącze wejścia liniowego:	XLR/jack (combo)	XLR/jack (combo)	XLR/jack (combo)	XLR/jack (combo)
Złącze wejścia mikrofonowego:	XLR/jack (combo)	XLR/jack (combo)	XLR/jack (combo)	XLR/jack (combo)
Złącze wyjścia liniowego:	XLR	XLR	XLR	XLR
Złącze wyjścia głośnika:	-	-	Speakon kompatybilne / 8 Ohm	Speakon kompatybilne / 8 Ohm
Zasilanie:	220-240 V AC	220-240 V AC	220-240 V AC	220-240 V AC
Materiał obudowy:	15 mm, sklejka	15 mm, sklejka	15 mm, sklejka	15 mm, sklejka
Powłoka obudowy:	Powłoka strukturalna	Powłoka strukturalna	Powłoka strukturalna	Powłoka strukturalna
Typ obudowy:	Bass-reflex	Bass-reflex	Bass-reflex	Bass-reflex
Kąt monitora:	°	54°	54°	54°
Wymiary (szer. x wys. x gł.):	mm	270 x 450 x 290	320 x 500 x 290	480 x 650 x 460
Waga:	kg	11	12,7	28,5
Właściwości:	ergonomiczne frezowane uchwyty, kołnierz gwintowany M10 dostosowany do statywu SuperClamp, aluminiowy wspornik stojaka 36 mm.	ergonomiczne frezowane uchwyty, kołnierz gwintowany M10 dostosowany do statywu SuperClamp, aluminiowy wspornik stojaka 36 mm.	Regulowane uchwyty LD Systems, SM707 wsporniki stojaka 36 mm, 6 x otwory gwintowe M8	Regulowane uchwyty LD Systems, SM707 wsporniki stojaka 36 mm, 6 x otwory gwintowe M8

Ponieważ wszystkie nasze produkty są nieustannie sprawdzane i poprawiane, istnieje możliwość zmiany specyfikacji bez uprzedzenia.

ITALIANO

POLSKI

ESPAÑOL

FRANCAIS

DEUTSCH

ENGLISH

## GŁOŚNIK PASYWNY PANEL TYLNY:

LDEB82G<sup>2</sup>  
LDEB102G<sup>2</sup>  
LDEB122G<sup>2</sup> (na rysunku)  
LDEB152G<sup>2</sup>

ENGLISH

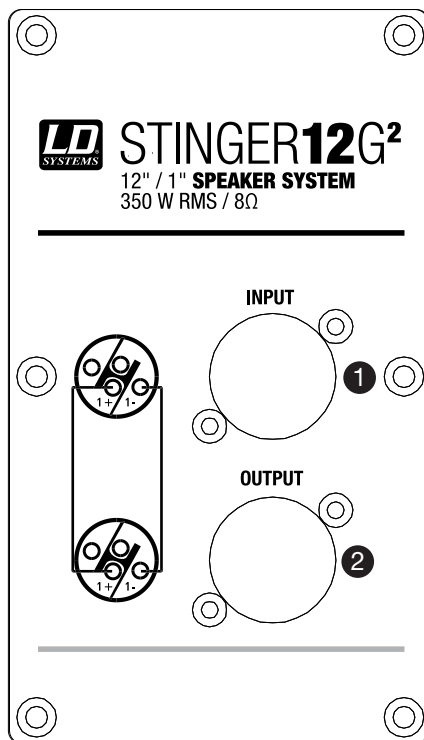
DEUTSCH

FRANCAIS

ESPAÑOL

POLSKI

ITALIANO



## GŁOŚNIK PASYWNY PANEL TYLNY:

### 1 INPUT

Wejście złącza Speakon kompatybilne.

### 2 OUTPUT

Wyjście złącza Speakon kompatybilne (równolegle połączone z wejściem złącza Speakon kompatybilne 1+/1-).

ENGLISH

DEUTSCH

FRANCAIS

ESPAÑOL

POLSKI

ITALIANO

# GŁOŚNIK PASYWNY SPECYFIKACJE:

ITALIANO

POLSKI

ESPAÑOL

FRANCAIS

DEUTSCH

ENGLISH

	LDEB82G2	LDEB102G2	LDEB122G2	LDEB152G2
Rodzaj produktu:	Głośnik PA	Głośnik PA	Głośnik PA	Głośnik PA
Typ:	Pasywny	Pasywny	Pasywny	Pasywny
Rozmiar subwoofera:	Cali: 8	10	12	15
Rozmiar subwoofera:	mm: 203,2	254	304,8	381
Magnes użyty w subwooferze:	Ferrytowy	Ferrytowy	Ferrytowy	Ferrytowy
Marka subwoofera:	Produktowany na zamówienie	Produktowany na zamówienie	Produktowany na zamówienie	Produktowany na zamówienie
Cewka drgająca subwoofera:	Cali: 2	2	2,5	3
Cewka drgająca subwoofera:	mm: 50,8	50,8	63,5	70,6
Tuba:	Tuba o stałej kierunkowości	Tuba o stałej kierunkowości	Tuba o stałej kierunkowości	Tuba o stałej kierunkowości
Rozmiar głośnika wysokotonowego:	Cali: 1	1	1	1
Rozmiar głośnika wysokotonowego:	mm: 25,4	25,4	25,4	25,4
Magnes głośnika wysokotonowego:	Ferrytowy	Ferrytowy	Ferrytowy	Ferrytowy
Rodzaj głośnika wysokotonowego:	BMS	BMS	BMS	BMS
Cewka drgająca głośnika wysokotonowego:	Cali: 1	1	1	1
Cewka drgająca głośnika wysokotonowego:	mm: 25,4	25,4	25,4	25,4
Dyspersja (H x V):	°: 100 x 55	100 x 55	100 x 55	100 x 55
Moc wyjściowa (RMS):	W: 200	250	350	500

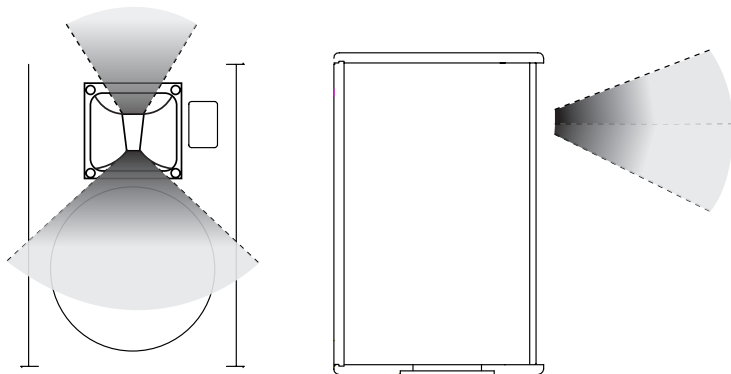
Moc wyjściowa (szczytowa):	W	400	500	700	1,000
Zakres częstotliwości:	Hz	70 - 19,000	65 - 19,000	58 - 19000	50 - 19000
Częstotliwość graniczna:	Hz	2,200	2,400	1,800	1,800
Poziom ciśnienia akustycznego (1W/ 1m):	dB	95	96	99	100
Maksymalny ciągły poziom ciśnienia akustycznego:	dB	118	120	125	127
Impedancja:	Om	8	8	8	8
Ochrona:		Głośnik wysokotonowy	Głośnik wysokotonowy	Głośnik wysokotonowy	Głośnik wysokotonowy
Złącze wejścia głośnika:		Speakon kompatybilne			
Złącze wyjścia głośnika:					
Materiał obudowy:		15 mm, sklejka	15 mm, sklejka	15 mm, sklejka	15 mm, sklejka
Powłoka obudowy:		Powłoka strukturalna	Powłoka strukturalna	Powłoka strukturalna	Powłoka strukturalna
Typ obudowy:		Bass-reflex	Bass-reflex	Bass-reflex	Bass-reflex
Kąt monitora:	°	-	54°	54°	54°
Wymiary (szer. x wys. x gł.):	mm	270 x 450 x 290	320 x 500 x 290	390 x 570 x 370	480 x 650 x 460
Waga:	kg	10 kg	11,5 kg	19 kg	25,5 kg
Właściwości:		ergonomiczne frezowane uchwyty, kółki gwintowane M10 dostosowane do statywu SuperClamp, aluminiowy wspornik stojaka 36 mm.	ergonomiczne frezowane uchwyty, kółki gwintowane M10 dostosowane do statywu SuperClamp, aluminiowy wspornik stojaka 36 mm.	Regulowane uchwyty LD Systems, SM707 wsporniki stojaka 36 mm, 6 x otwory gwintowe M8	Regulowane uchwyty LD Systems, SM707 wsporniki stojaka 36 mm, 6 x otwory gwintowe M8

Ponieważ wszystkie nasze produkty są nieustannie sprawdzane i poprawiane, istnieje możliwość zmiany specyfikacji bez uprzedzenia.

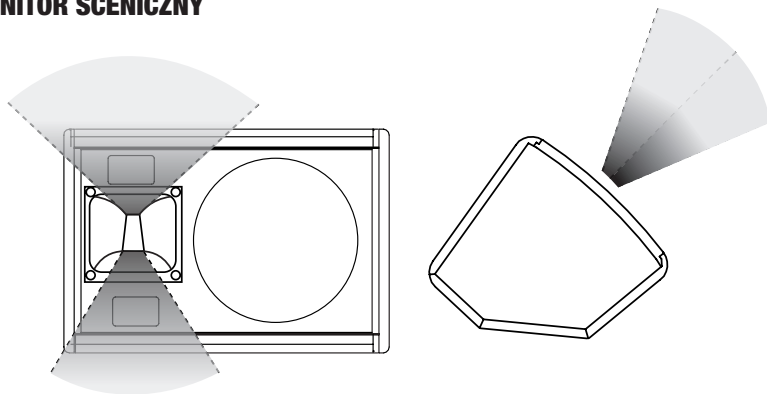
## KONFIGURACJA TUBY:

Dla głośników LDEB102(A)G<sup>2</sup>, LDEB122(A)G<sup>2</sup>, LDEB152(A)G<sup>2</sup>

### KONFIGURACJA GŁOŚNIKÓW Z PRZODU SALI



### MONITOR SCENICZNY



W konfiguracji z przodu sali, wąski otwór w tubie wysokotonowej musi być skierowane w dół.

W konfiguracji monitora scenicznego, tuba wysokotonowa musi być obrócona o 90 stopni, a wąski otwór powinien być skierowany ku górze.

Usuń przednią kratkę i poluzuj 4 śruby tuby wysokotonowej. Obróć tubę wysokotonową o 90 stopni i zaciśnij śruby. Następnie umieść przednią kratkę z powrotem na miejscu.



## MONTAŻ I UMIEJSCOWIENIE:

### ELEMENTY SŁUŻĄCE DO PODWIESZANIA:

Do głośników LDEB82(A)G<sup>2</sup> oraz LDEB102(A)G<sup>2</sup> polecamy docisk hakowy Adam Hall Universal SCP710B + SS018. Każdy głośnik LDEB122(A)G<sup>2</sup> i LDEB152(A)G<sup>2</sup> posiada 6 otworów gwintowych M8. Do montażu zalecamy użycie wkręta z oczkiem Premium M8 LDVSE.

LDEB82(A)G<sup>2</sup> e LDEB102(A)G<sup>2</sup>



**LDEB82G2B / LDEB102G2B**

Borsa di trasporto



**SCP710B**

Gancio con manopola



**LDEB82G2WB / LDEB102G2WB**

Staffa per fissaggio a parete



**SS018**

Bullone M10 da 16mm

ENGLISH

DEUTSCH

FRANCAIS

ESPAÑOL

POLSKI

ITALIANO

## ACCESSORI:

ENGLISH

LDEB122(A)G<sup>2</sup> e LDEB152(A)G<sup>2</sup>

DEUTSCH

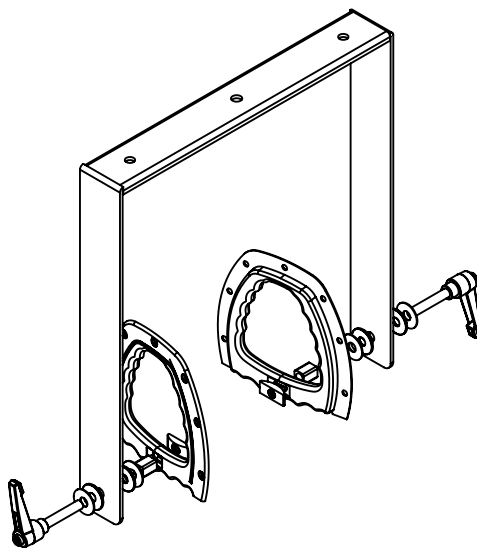


FRANCAIS

**LDEB122G2B / LDEB152G2B**  
Borsa di trasporto

ESPAÑOL

POLSKI



**LDEB122G2SB / LDEB152G2SB**  
Staffa girevole

ITALIANO

## ACCESSORI UNIVERSALI:



**SMBS5**  
Piastra di montaggio a parete



**SPS023S / SPS023**  
Supporto per casse



**SPS023SET**  
2x Supporti per casse con borsa

**SPS023SET2**  
2x Supporti per casse con borsa e  
2x Cavi Speakon kompatybilne

ENGLISH

DEUTSCH

FRANCAIS

ESPAÑOL

POLSKI

ITALIANO

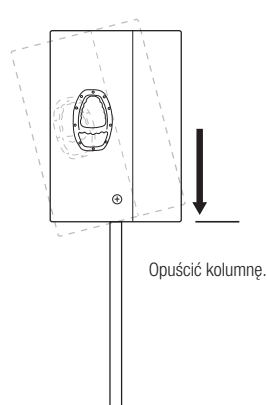
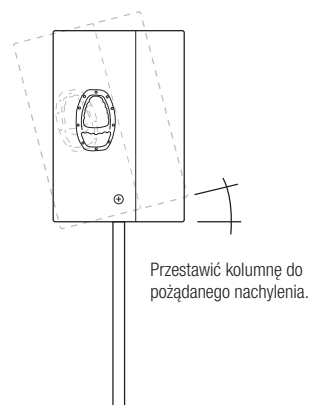
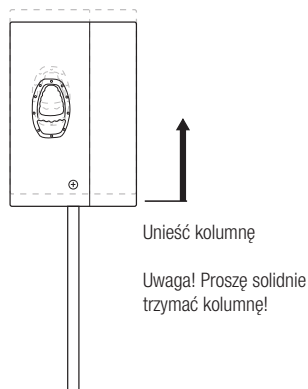
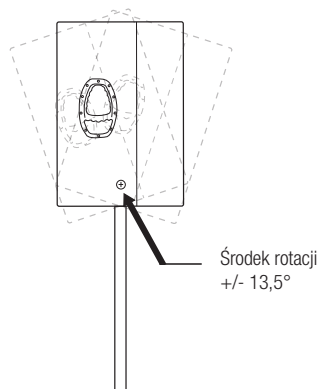
## MONTAŻ I UMIEJSCOWIENIE:

### REGULACJA GNIAZDA KOLUMNOWEGO SM707 (WYŁĄCZNIE LDEB122(A)G<sup>2</sup> i LDEB152(A)G<sup>2</sup>)

Zintegrowane, opatentowane gniazdo kolumnowe 2 pozycyjne SM707 oferuje niezrównane możliwości dostosowania kątów nachylenia.

SM707 umożliwia odchylenia do +/- 13,5 stopni w krokach po 4,5°.

Ostrożnie i delikatnie unieś kolumnę z mechanizmu podtrzymującego (około 1/2 cm), obróć ją o pożądany kąt, a następnie ją opuść.



## DEKLARACJE PRODUCENTA:

### OGRANICZONA GWARANCJA

Ta Ograniczona Gwarancja dotyczy produktów marek Adam Hall, LD Systems, LD Premium, Defender, Palmer, Cameo oraz Eminence.

Niniejsza gwarancja nie wpływa na prawa gwarancyjne wynikające z przepisów lokalnych. Jest to dodatkowa, niezależna gwarancja ze strony firmy Adam Hall.

Adam Hall gwarantuje, że zakupiony produkt Adam Hall zakupiony od firmy Adam Hall lub autoryzowanego przedstawiciela Adam Hall, pozostanie wolny od wad w materiałach i wykonaniu, przy normalnym użytkowaniu przez okres 2 lub 3 lat od daty zakupu.

Okres gwarancyjny rozpoczyna się z dniem zakupu. Aby móc skorzystać z serwisu gwarancyjnego, kupujący zobowiązany jest do przedstawienia dowodu zakupu opatrzonego datą. Dokumenty takie jak paragon, faktura lub list przewozowy mogą być dowodem daty zakupu. Jeśli produkt wymienionych powyżej marek wymaga naprawy w czasie trwania okresu gwarancyjnego, nabywcy przysługują gwarancyjne usługi serwisowe zgodne z warunkami przedstawionymi w tym dokumencie.

Niniejsza gwarancja obejmuje wyłącznie oryginalnego nabywcę produktu marki Adam Hall i nie można jej przenieść na inną osobę, która przejmie własność produktu od oryginalnego nabywcy. Podczas okresu gwarancyjnego, Adam Hall zobowiązuje się do naprawy lub wymiany wadliwych komponentów produktu. Wszystkie części i elementy wymontowane z urządzenia podczas działań serwisowych stają się własnością Adam Hall.

W mało prawdopodobnym przypadku powtarzania się wady produktu Adam Hall, Adam Hall może zdecydować o dostarczeniu urządzenia zamiennego wybranego przez Adam Hall, które charakteryzuje się co najmniej takimi samymi parametrami jak reklamowany produkt.

Adam Hall nie gwarantuje, że eksploatacja produktu będzie przebiegać bezbłędnie lub nieprzerwanie.

Adam Hall nie ponosi odpowiedzialności za uszkodzenia wynikające z niezastosowania się użytkownika do instrukcji dołączonej do produktu Adam Hall.

Ta Ograniczona Gwarancja nie dotyczy,

- części podlegających normalnemu zużyciu (np. akumulator)
- produktów, których numer seryjny został usunięty, uszkodzony lub pozbawiony czytelności w wyniku wypadku
- przypadków nieprawidłowego użycia, celowego uszkodzenia lub powodów zewnętrznych
- przekroczenia dopuszczalnych parametrów pracy określonych w dokumentacji dostarczonej z produktem
- użycia części zamiennych nie pochodzących od Adam Hall
- przez modyfikację lub serwis nieprzeprowadzony przez Adam Hall

Te warunki określają kompletną i wyłączną umowę gwarancyjną między Nabywcą i firmą Adam Hall odnośnie zakupionego produktu markowego Adam Hall.

ENGLISH

DEUTSCH

FRANCAIS

ESPAÑOL

POLSKI

ITALIANO

## DEKLARACJE PRODUCENTA:

ENGLISH

### OGRANICZENIE ODPOWIEDZIALNOŚCI

Jeśli Twój produkt Adam Hall nie działa prawidłowo, wskazanym i wyłącznym rozwiązaniem jest naprawa lub wymiana. Maksymalna odpowiedzialność firmy Adam Hall w związku z niniejszą gwarancją ogranicza się maksymalnie do kwoty równej cenie zakupu produktu lub kosztom naprawy lub wymiany komponentów sprzętowych, które uległy uszkodzeniu lub nie działają prawidłowo podczas normalnego użytkowania.

Adam Hall nie odpowiada za jakiegokolwiek szkody spowodowane przez produkt lub awarię produktu, włącznie z utratą zysków lub oszczędności, szczególnych, przypadkowych lub powiązanych szkód. Adam Hall nie ponosi odpowiedzialności za zobowiązania użytkownika wobec stron trzecich lub zobowiązania stron trzecich wobec użytkownika.

Ograniczenie odpowiedzialności ma zastosowanie w przypadku, gdy występują roszczenia odszkodowawcze lub składane są reklamacje na podstawie niniejszej gwarancji lub jako roszczenie z tytułu czynu niedozwolonego (włączając w to zaniedbanie oraz ścisłą odpowiedzialność za produkt), roszczenie z umowy lub jakiegokolwiek inne roszczenie. Żadna osoba nie może uchylić lub zmienić tych ograniczeń odpowiedzialności. Niniejsze ograniczenie odpowiedzialności pozostaje w mocy nawet jeśli nabywca poinformował firmę Adam Hall lub jej autoryzowanego przedstawiciela o możliwości wystąpienia takich szkód. Te ograniczenia odpowiedzialności nie dotyczą roszczeń wynikających z wystąpienia obrażeń u osób.

Niniejsza Gwarancja daje Ci pewne specyficzne prawa. Mogą przysługiwać Ci również inne prawa, które różnią się między sobą zależnie od państwa nadania. Radzimy zapoznanie się z prawem właściwym krajowi zamieszkania, w celu uzyskania kompletnej wiedzy na temat przysługujących praw.

### ŻĄDANIE OBSŁUGI GWARANCYJNEJ

Abym uzyskać obsługę gwarancyjną swojego produktu, skontaktuj się z firmą Adam Hall lub jej autoryzowanym przedstawicielem od którego kupiłeś produkt.

DEUTSCH

FRANCAIS

ESPAÑOL

### PRAWIDŁOWE SKŁADOWANIE TEGO PRODUKTU (ODPADY ELEKTRONICZNEI)



(Informacje mają zastosowanie w krajach członkowskich UE i innych krajach europejskich, w których obowiązuje segregacja odpadów)

Ten znak na produkcie lub dołączonej dokumentacji oznacza, że nie należy go wyrzucać wraz z domowymi odpadkami po wycofaniu z użycia. Aby zapobiec możliwym szkodom dla środowiska i ludzkiego zdrowia spowodowanym niekontrolowanym składowaniem odpadów, prosimy o oddzielenie tego produktu od innych odpadów i odpowiedzialne poddanie go recyklingowi w celu promowania ciągłego odzyskiwania zasobów materiałowych.

Użytkownicy domowi powinni skontaktować się ze sprzedawcą lub lokalnym urzędem, aby uzyskać informacje na temat przyjaznej środowisku zbiórki odpadów elektronicznych.

Użytkownicy biznesowi powinni skontaktować się ze swoim dostawcą i sprawdzić warunki kontraktu nabycia. Tego produktu nie należy mieszać z innymi odpadami komercyjnymi przy składowaniu.

POLSKI

ITALIANO

## DEKLARACJA-WEEE



Twój produkt LD Systems został zaprojektowany i wykonany z wysokiej jakości materiałów i komponentów, które można poddać recyklingowi i/lub użyć ponownie. Ten symbol oznacza, że sprzęt elektryczny i elektroniczny należy składować osobno od normalnych odpadów po zakończeniu użytkowania.

Prosimy, przekaż ten produkt do lokalnego punktu zbiórki lub centrum recyklingowego przeznaczonego dla tego typu sprzętu. W ten sposób przyczynisz się do ochrony środowiska, w którym żyjemy.

## BATERIE I AKUMULATORY



Dołączone baterie lub akumulatory można poddać recyklingowi. Prosimy, składuj je jako specjalne odpady lub wróć do punktu nabycia. W celu ochrony środowiska wyrzucaj wyłącznie zużyte baterie.

## OCHRONA ŚRODOWISKA I OSZCZĘDNOŚĆ ENERGII:

Oszczędność energii elektrycznej pomaga chronić środowisko. Należy wyłączyć wszystkie urządzenia elektryczne, jeśli nie są w użyciu. Aby uniknąć zużycia prądu w trybie bezczynności, należy odłączyć wszystkie urządzenia elektryczne od sieci zasilającej, gdy nie są w użyciu.

Adam Hall GmbH, wszystkie prawa zastrzeżone. Dane techniczne i funkcjonalne produktu mogą podlegać modyfikacjom. Kopiowanie, tłumaczenie i pozostałe formy reprodukcji fragmentów lub całości tej instrukcji obsługi są zabronione.

ENGLISH

DEUTSCH

FRANCAIS

ESPAÑOL

POLSKI

ITALIANO



ENGLISH

DEUTSCH

FRANCAIS

ESPAÑOL

POLSKI

ITALIANO

## Acquistando un prodotto LD Systems avete fatto la scelta giusta!

Quest'apparecchio è stato sviluppato e prodotto secondo elevati standard qualitativi che garantiscono un funzionamento regolare per molti anni. Per questo motivo LD Systems, con il suo nome e la pluriennale esperienza, rappresenta un'azienda produttrice di prodotti audio di qualità.

Leggete attentamente questo manuale d'uso per utilizzare al meglio il vostro nuovo amplificatore LD Systems.

Per ulteriori informazioni sui prodotti LD Systems consultate il nostro sito internet [WWW.LD-SYSTEMS.COM](http://WWW.LD-SYSTEMS.COM)

## Introduzione

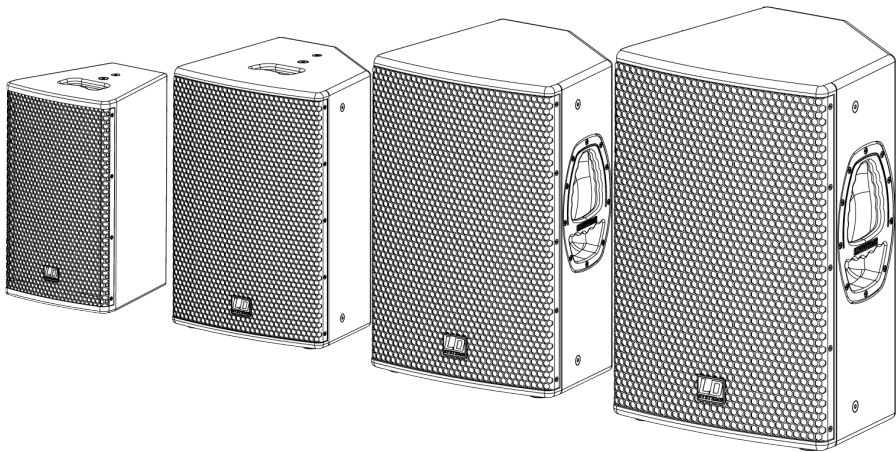
Gli altoparlanti della serie LD Systems Stinger G<sup>2</sup> sono stati progettati per un uso professionale. La serie Stinger G<sup>2</sup> di LD Systems è caratterizzata da un suono eccezionale ad alti livelli di SPL, affidabilità e componenti di qualità, il tutto a un prezzo accessibile.

La serie è costituita da quattro casse attive a due vie da 8", 10", 12" e 15" e da quattro casse passive a due vie di dimensioni simili. Grazie alla loro flessibilità e affidabilità gli altoparlanti Stinger G<sup>2</sup> di LD Systems rappresentano la scelta perfetta per il 'sound reinforcement' professionale.



# LD SERIE **STINGER G<sup>2</sup>**

SISTEMI **ATTIVI E PASSIVI**



ENGLISH

DEUTSCH

FRANCAIS

ESPAÑOL

POLSKI

ITALIANO

## MISURE PREVENTIVE:

ENGLISH

1. Leggere attentamente queste informazioni.
2. Conservare le informazioni e istruzioni in un luogo sicuro.
3. Seguire le istruzioni.
4. Osservare tutte le avvertenze. Non togliere le istruzioni di sicurezza o qualsiasi altra informazione che si trova sul dispositivo.

DEUTSCH

5. Usare il dispositivo solo per lo scopo per cui è previsto.
6. Utilizzare unicamente dei supporti e/o sistemi di fissaggio stabili e adeguati per l'installazione permanente del dispositivo. Assicurarsi che i supporti a parete siano saldi. Assicurarsi che il dispositivo sia installato in modo sicuro e non possa cadere.

FRANCAIS

7. Quando si installa il dispositivo, osservare le norme di sicurezza del proprio paese.
8. Non installare il dispositivo vicino a radiatori, accumulatori di calore, forni o qualsiasi altra fonte di calore. Assicurarsi che il dispositivo venga sempre installato in modo da garantire una ventilazione sufficiente affinché non si surriscaldi.

ESPAÑOL

9. Non collocare possibili fonti di incendio, ad es. candele accese, sul dispositivo.
10. Non coprire le griglie di ventilazione.
11. Non far funzionare il dispositivo in prossimità di acqua. Non esporre il dispositivo a materiali, liquidi o gas infiammabili.
12. Assicurarsi che eventuali rovesciamenti o spruzzi d'acqua non possano entrare all'interno del dispositivo. Non collocare oggetti pieni di fluido, come ad esempio bicchieri o coppe sopra il dispositivo.

POLSKI

13. Assicurarsi che non possa cadere nessun oggetto all'interno del dispositivo.
14. Usare il dispositivo unicamente con gli accessori consigliati dal fabbricante.
15. **ATTENZIONE:** Se il dispositivo ha un connettore dotato di presa di terra, dovrà essere collegato a una presa di corrente con connessione alla presa di terra. Non disattivare mai la funzione della connessione di protezione a terra del cavo di alimentazione.

ITALIANO

16. Non accendere immediatamente il dispositivo se è stato esposto a un cambiamento brusco della temperatura (ad esempio dopo il trasporto). L'umidità e la condensazione potrebbero danneggiare il dispositivo. Lasciare spento il dispositivo fino al raggiungimento della temperatura ambiente.

17. Non aprire il dispositivo e non cercare di modificarlo.
18. Prima di collegare il dispositivo alla corrente, assicurarsi che la tensione e la frequenza siano uguali ai valori indicati nel dispositivo (vedi targhetta delle specifiche). Se il dispositivo è dotato di un selettore di tensione, assicurarsi che i valori del dispositivo corrispondano con i valori della rete elettrica prima della connessione. Se la spina del cavo di alimentazione fornito non entra nella presa, contattare un elettricista.

19. Controllare che il cavo di alimentazione non sia schiacciato. Assicurarsi che il cavo di alimentazione non venga pizzicato, soprattutto alle estremità di connessione al dispositivo e alla presa di alimentazione.

20. Per evitare danni o infortuni, ad esempio per cadute, verificare tutte le connessioni una volta collegato il dispositivo.

21. Quando si collega il dispositivo, assicurarsi che ci sia una presa elettrica comodamente accessibile. Scollegare la spina dalla presa elettrica quando non si utilizza il dispositivo o durante la sua pulizia. Scollegare il cavo di alimentazione tirando la spina, non il cavo.

22. Evitare di accendere e spegnere il dispositivo a intervalli brevi, poiché potrebbe ridurre la vita utile dello stesso.

23. **IMPORTANTE:** Sostituire il fusibile solo con fusibili dello stesso tipo e potenza nominale! Se il fusibile dovesse saltare ripetutamente, contattare un centro di assistenza autorizzato!

## MISURE PREVENTIVE:

24. Per scollegare completamente il dispositivo dell'alimentazione, bisogna staccare il la spina.
25. Se il dispositivo è dotato di un connettore Volex, bisognerà sbloccare il Volex del dispositivo per poterlo scollegare. Ciò significa anche che se si tira il cavo di alimentazione si può spostare il dispositivo causando danni personali e/o materiali. Per questo bisogna assicurarsi di tirare i cavi con particolare attenzione.
26. Se esiste il rischio di caduta di fulmini o durante periodi di disuso prolungati, scollegare la spina.
27. Durante il trasporto, assicurarsi che il dispositivo non possa cadere e causare danni personali e/o materiali.
28. Se il dispositivo non funziona più correttamente, se è stato versato del liquido sullo stesso o è caduto un oggetto al suo interno, o è stato danneggiato in qualsiasi altro modo, spegnerlo immediatamente e scollegare il cavo di alimentazione. Questo dispositivo dovrà essere riparato solo da esperti autorizzati.
29. Utilizzare solo un panno asciutto per pulire il dispositivo.
30. Rispettare tutte le normative esistenti in termini di smaltimento dei rifiuti applicabili nel vostro paese. Separare la plastica e la carta/cartone.
31. I sacchetti di plastica devono essere tenuti lontani dalla portata dei bambini.



### ATTENZIONE:

per ridurre il rischio di scosse elettriche, non rimuovere il coperchio (o il retro). All'interno del dispositivo non sono presenti parti su cui l'utente può effettuare operazioni di manutenzione. Rivolgersi a personale qualificato per effettuare le operazioni di manutenzione.



Il simbolo del fulmine con una freccia in punta all'interno di un triangolo equilatero avverte l'utente della presenza di "tensione pericolosa" senza isolamento all'interno della carcassa del prodotto che potrebbe essere di magnitudine sufficiente per rappresentare un rischio per le persone.



Il punto esclamativo all'interno di un triangolo equilatero avverte l'utente della presenza di importanti istruzioni operative e relative alla manutenzione nella documentazione che accompagna l'apparecchio.

### ATTENZIONE! VOLUME ALTO!

Questo sistema di trasmissione verrà utilizzato a scopi professionali, pertanto l'uso commerciale dell'attrezzatura è soggetto alle norme e ai regolamenti dell'Istituto Nazionale per l'Assicurazione contro gli Infortuni sul Lavoro relativi al nostro settore industriale. Adam Hall, in qualità di produttore, è tenuto a fornire all'utente informazioni formali circa l'esistenza di possibili rischi sanitari.

Danno all'udito per esposizione prolungata a dei livelli di pressione sonora (SPL) eccessivi: l'altoparlante può raggiungere facilmente dei livelli di pressione sonora sufficienti a causare danni permanenti all'udito agli artisti, al personale della produzione e al pubblico. Bisogna adottare le precauzioni necessarie per evitare l'esposizione prolungata a una SPL superiore a 90 dB.

# PANNELLO POSTERIORE DEI SISTEMI ATTIVI:

**LDEB82AG<sup>2</sup>**  
**LDEB102AG<sup>2</sup> (figura)**

ENGLISH

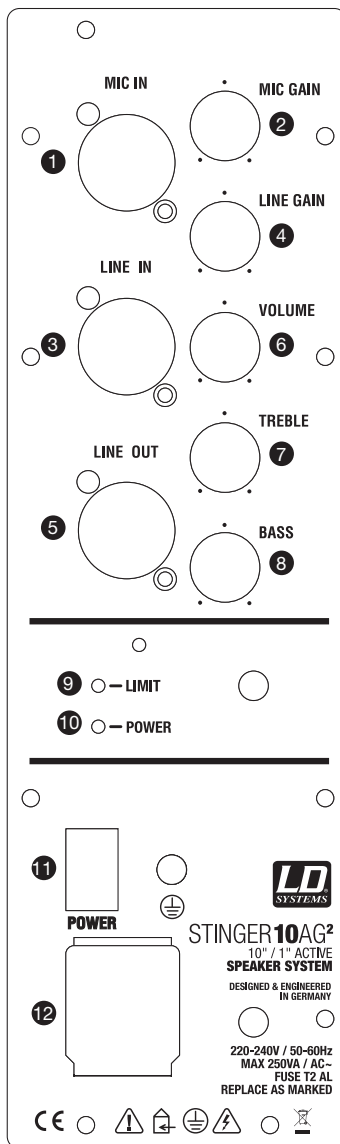
DEUTSCH

FRANCAIS

ESPAÑOL

POLSKI

ITALIANO



## CARATTERISTICHE DEI SISTEMI ATTIVI:

- 1 MIC IN**  
Entrata per microfono bilanciata con XLR/jack di 6,3 mm (combo).
- 2 MIC GAIN**  
Regolazione del guadagno per l'ingresso del microfono.
- 3 LINE IN**  
Entrata per linea bilanciata con XLR/jack di 6,3 mm (combo).
- 4 LINE GAIN**  
Regolazione del guadagno per l'entrata di linea.
- 5 LINE OUT**  
Uscita XLR bilanciata che consente di collegare un altro altoparlante attivo o un mixer. Mix dei segnali MIC IN e LINE IN.
- 6 VOLUME**  
Controllo del volume generale delle casse.
- 7 TREBLE**  
Girare a sinistra per ridurre le frequenze alte.  
Girare a destra per aumentare le frequenze alte.
- 8 BASS**  
Girare a sinistra per ridurre le frequenze basse.  
Girare a destra per aumentare le frequenze basse.
- 9 LED LIMIT**  
Si accende quando l'altoparlante viene fatto funzionare al limite. Un lampeggio sporadico del LED non è critico. Se il LED del limitatore si accende per più di un momento breve o in modo permanente (sovraccarico del sistema), ridurre il volume della fonte di segnale collegata. Altrimenti il suono potrebbe risultare sgradevole e distorto e si potrebbe verificare un malfunzionamento del sistema di altoparlanti.
- 10 LED POWER**  
Si accende quando è acceso il dispositivo e il cavo di alimentazione è connesso correttamente.
- 11 INTERRUTTORE DI ACCENSIONE**  
Prima di accendere il dispositivo, collocare al minimo tutti i controlli di livello.
- 12 CONNETTORE DI ALIMENTAZIONE (VOLEX)**  
Connessione elettrica attraverso un connettore IEC (220 - 240 V CA).  
Il dispositivo viene fornito con un cavo elettrico con un connettore bloccabile Volex.  
**IMPORTANTE: Sostituire il fusibile solo con fusibili dello stesso tipo e potenza nominale! Se il fusibile dovesse saltare ripetutamente, contattare un centro di assistenza autorizzato!**

ENGLISH

DEUTSCH

FRANCAIS

ESPAÑOL

POLSKI

ITALIANO

# PANNELLO POSTERIORE DEI SISTEMI ATTIVI:

**LDEB122AG<sup>2</sup> (figura)**  
**LDEB152AG<sup>2</sup>**

ENGLISH

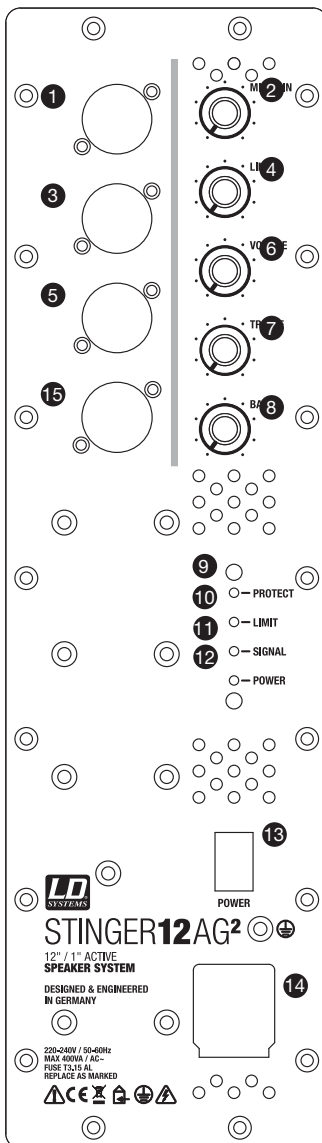
DEUTSCH

FRANCAIS

ESPAÑOL

POLSKI

ITALIANO



## CARATTERISTICHE DEI SISTEMI ATTIVI:

- 1 MIC IN**  
Entrata per microfono bilanciata con XLR/jack di 6,3 mm (combo).
- 2 MIC GAIN**  
Regolazione del guadagno per l'ingresso del microfono.
- 3 LINE IN**  
Entrata per linea bilanciata con XLR/jack di 6,3 mm (combo).
- 4 LINE GAIN**  
Regolazione del guadagno per l'entrata di linea.
- 5 LINE OUT**  
Uscita XLR bilanciata che consente di collegare un altro altoparlante attivo o un mixer. Mix dei segnali MIC IN e LINE IN.
- 6 VOLUME**  
Controllo del volume generale delle casse.
- 7 TREBLE**  
Girare a sinistra per ridurre le frequenze alte.  
Girare a destra per aumentare le frequenze alte.
- 8 BASS**  
Girare a sinistra per ridurre le frequenze basse.  
Girare a destra per aumentare le frequenze basse.
- 9 LED PROTECT**  
Si accende in caso di sovraccarico o surriscaldamento del dispositivo.  
L'amplificatore passa automaticamente al mute. Il dispositivo torna alla modalità di funzionamento normale dopo qualche minuto.
- 10 LED LIMIT**  
Si accende quando l'altoparlante viene fatto funzionare al limite. Un lampeggio sporadico del LED non è critico.  
Se il LED del limitatore si accende per più di un momento breve o in modo permanente (sovraccarico del sistema), ridurre il volume della fonte di segnale collegata. Altrimenti il suono potrebbe risultare sgradevole e distorto e si potrebbe verificare un malfunzionamento del sistema di altoparlanti.
- 11 LED SIGNAL**  
Si accende quando riceve un segnale audio.
- 12 LED POWER**  
Si accende quando è acceso il dispositivo e il cavo di alimentazione è connesso correttamente.
- 13 INTERRUOTTORE DI ACCENSIONE**  
Prima di accendere il dispositivo, collocare al minimo tutti i controlli di livello.
- 14 CONNETTORE DI ALIMENTAZIONE (VOLEX)**  
Connessione elettrica attraverso un connettore IEC (220 - 240 V CA).  
Il dispositivo viene fornito con un cavo elettrico con un connettore bloccabile Volex.  
**IMPORTANTE: Sostituire il fusibile solo con fusibili dello stesso tipo e potenza nominale! Se il fusibile dovesse saltare ripetutamente, contattare un centro di assistenza autorizzato!**
- 15 SPEAKER OUT**  
Uscita compatibile Speakon attiva che consente di connettere un altoparlante passivo di 8 Ohm, ad esempio uno LDEB122G<sup>2</sup> o LDEB152G<sup>2</sup>.

ENGLISH

DEUTSCH

FRANCAIS

ESPAÑOL

POLSKI

ITALIANO

## SPECIFICHE DEL MODELLO ATTIVO:

ITALIANO

POLSKI

ESPAÑOL

FRANCAIS

DEUTSCH

ENGLISH

	<b>LDEB82AG2</b>	<b>LDEB102AG2</b>	<b>LDEB122AG2</b>	<b>LDEB152AG2</b>
Prodotto:	Altoparlante di PA	Altoparlante di PA	Altoparlante di PA	Altoparlante di PA
Tipo:	Attivo	Attivo	Attivo	Attivo
Dimensioni del woofer:	" 8	10	12	15
Dimensioni del woofer:	mm 203,2	254	304,8	381
Magnete del woofer:	Ferrite	Ferrite	Ferrite	Ferrite
Marca del woofer:	Custom Made	Custom Made	Custom Made	Custom Made
Bobina del woofer:	" 2	2,5	2,5	3
Bobina del woofer:	mm 50,8	50,8	63,5	70,6
Tromba:	Tromba DC	Tromba DC	Tromba DC	Tromba DC
Dimensioni driver alte frequenze:	" 1	1	1	1
Dimensioni driver alte frequenze:	mm 25,4	25,4	25,4	25,4
Magnete driver alte frequenze:	Ferrite	Ferrite	Ferrite	Ferrite
Marca driver alte frequenze:	BMS	BMS	BMS	BMS
Bobina voce driver alte frequenze:	" 1	1	1	1
Bobina voce driver alte frequenze:	mm 25,4	25,4	25,4	25,4
Amplificazione:	Classe D, ICEpower 50ASX2	Classe D, ICEpower 50ASX2	Classe D, Hypex Ucd400	Classe D, Hypex Ucd400
Dispersione (H x V):	° 100 x 55	100 x 55	100 x 55	100 x 55
Potenza (RMS):	W 170	170	400	400
Potenza (Picco):	W 340	340	800	800
Gamma di frequenza:	Hz 70 -19.000	65 -19.000	58 - 19.000	50 - 19.000
Frequenza di taglio:	Hz 2.200	2.400	1.800	1.800
Max SPL continuo:	dB 116	117	118	120



Max. SPL Picco:	dB	129	130	132	134
Protezione:		Tweeter, corto circuito, sovratensione	Tweeter, corto circuito, sovratensione	Tweeter, sovracorrente, sovratensione	Tweeter, sovracorrente, sovratensione
Comandi:		Mic Gain, Line Gain, Volume, Treble, Bass, Power	Mic Gain, Line Gain, Volume, Treble, Bass, Power	Mic Gain, Line Gain, Volume, Treble, Bass, Power	Mic Gain, Line Gain, Volume, Treble, Bass, Power
Indicatori:		Limit, Power	Limit, Power	Protect, Limit, Signal, Power	Protect, Limit, Signal, Power
Connettore entrata linea:		XLR/jack (combo)	XLR/jack (combo)	XLR/jack (combo)	XLR/jack (combo)
Connettore ingresso microfono:		XLR/jack (combo)	XLR/jack (combo)	XLR/jack (combo)	XLR/jack (combo)
Connettore uscita di linea:		XLR	XLR	XLR	XLR
Connettore uscita altoparlante:		-	-	compatibile Speakon / 8 Ohm	compatibile Speakon / 8 Ohm
Alimentazione:		220-240 V CA	220-240 V CA	220-240 V CA	220-240 V CA
Materiale della cassa:		Legno compensato da 15 mm	Legno compensato da 15 mm	Legno compensato da 15 mm	Legno compensato da 15 mm
Superficie della cassa:		Testurizzato	Testurizzato	Testurizzato	Testurizzato
Design della cassa:		Bass reflex	Bass reflex	Bass reflex	Bass reflex
Angolo del monitor:	°	-	54°	54°	54°
Dimensioni (L x H x P):	mm	270 x 450 x 290	320 x 500 x 290	390 x 570 x 370	480 x 650 x 460
Peso:	kg	11	12,7	21	28,5
Caratteristiche:		Maniglie ergonomiche, flangia filettata M10 per Super Clamp, supporto di alluminio (36 mm)	Maniglie ergonomiche, flangia filettata M10 per Super Clamp, supporto di alluminio (36 mm)	Maniglie Evolutive di LD Systems, supporto SM707 (36 mm), 6 punti di sollevamento M8	Maniglie Evolutive di LD Systems, supporto SM707 (36 mm), 6 punti di sollevamento M8

Dal momento che i nostri prodotti sono sottoposti costantemente a processi di controllo e miglioramento, le specifiche tecniche possono variare senza preavviso.

## PANNELLO POSTERIORE SISTEMI PASSIVI:

ENGLISH

LDEB82G<sup>2</sup>  
LDEB102G<sup>2</sup>  
LDEB122G<sup>2</sup> (figura)  
LDEB152G<sup>2</sup>

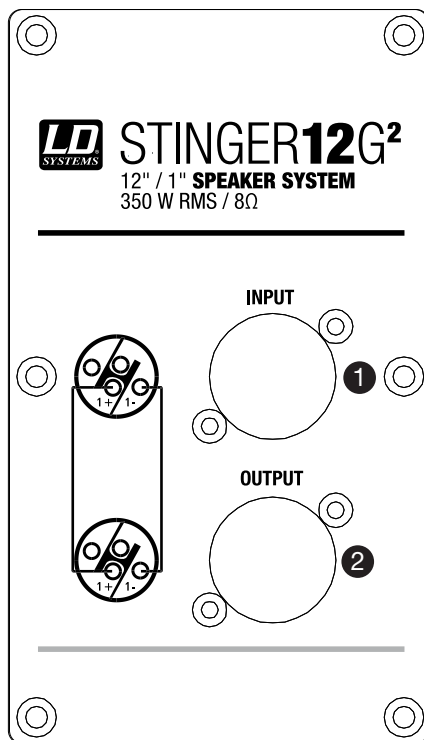
DEUTSCH

FRANCAIS

ESPAÑOL

POLSKI

ITALIANO



## PANNELLO POSTERIORE SISTEMI PASSIVI:

### ① INPUT

Entrata compatibile Speakon.

### ② OUTPUT

Uscita compatibile Speakon (collegata in parallelo con l'entrata compatibile Speakon 1+/1-)

ENGLISH

DEUTSCH

FRANCAIS

ESPAÑOL

POLSKI

ITALIANO

## SPECIFICHE DEL MODELLO PASSIVO:

ITALIANO

POLSKI

ESPAÑOL

FRANCAIS

DEUTSCH

ENGLISH

	LDEB82G2	LDEB102G2	LDEB122G2	LDEB152G2
Prodotto:	Altoparlante di PA	Altoparlante di PA	Altoparlante di PA	Altoparlante di PA
Tipo:	Passivo	Passivo	Passivo	Passivo
Dimensioni del woofer:	" 8	10	12	15
Dimensioni del woofer:	mm 203,2	254	304,8	381
Magnete del woofer:	Ferrite	Ferrite	Ferrite	Ferrite
Marca del woofer:	Custom Made	Custom Made	Custom Made	Custom Made
Bobina del woofer:	" 2	2	2,5	3
Bobina del woofer:	mm 50,8	50,8	63,5	70,6
Tromba:	Tromba DC	Tromba DC	Tromba DC	Tromba DC
Dimensioni driver alte frequenze:	" 1	1	1	1
Dimensioni driver alte frequenze:	mm 25,4	25,4	25,4	25,4
Magnete driver alte frequenze:	Ferrite	Ferrite	Ferrite	Ferrite
Marca driver alte frequenze:	BMS	BMS	BMS	BMS
Bobina voce driver alte frequenze:	" 1	1	1	1
Bobina voce driver alte frequenze:	mm 25,4	25,4	25,4	25,4
Dispersione (H x V):	° 100 x 55	100 x 55	100 x 55	100 x 55
Potenza (RMS):	W 200	250	350	500

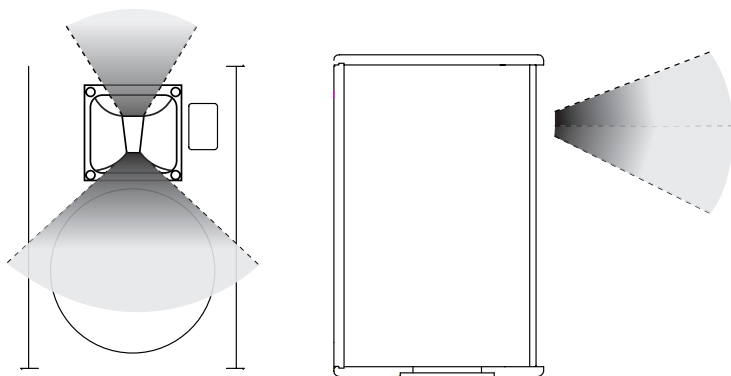
Potenza (Picco):	W	400	500	700	1.000
Gamma di frequenza:	Hz	70 - 19.000	65 - 19.000	58 - 19.000	50 - 19.000
Frequenza di taglio:	Hz	2.200	2.400	1.800	1.800
SPL (1 W / 1 m):	dB	95	96	99	100
Max SPL continuo:	dB	118	120	125	127
Impedenza:	Ohm	8	8	8	8
Protezione:		Tweeter	Tweeter	Tweeter	Tweeter
Connettore ingresso alto-parlante:		compatibile Speakon			
Connettore uscita altoparlante:					
Materiale della cassa:		Legno compensato da 15 mm	Legno compensato da 15 mm	Legno compensato da 15 mm	Legno compensato da 15 mm
Superficie della cassa:		Testurizzato	Testurizzato	Testurizzato	Testurizzato
Design della cassa:		Bass reflex	Bass reflex	Bass reflex	Bass reflex
Angolo del monitor:	°	-	54°	54°	54°
Dimensioni (L x H x P):	mm	270 x 450 x 290	320 x 500 x 290	390 x 570 x 370	480 x 650 x 460
Peso:	kg	10 kg	11,5 kg	19 kg	25,5 kg
Caratteristiche:		Maniglie ergonomiche, flangia filettata M10 per Super Clamp, supporto di alluminio (36 mm)	Maniglie ergonomiche, flangia filettata M10 per Super Clamp, supporto di alluminio (36 mm)	Maniglie Evolutive di LD Systems, supporto SM707 (36 mm), 6 punti di sollevamento M8	Maniglie Evolutive di LD Systems, supporto SM707 (36 mm), 6 punti di sollevamento M8

Dal momento che i nostri prodotti sono sottoposti costantemente a processi di controllo e miglioramento, le specifiche tecniche possono variare senza preavviso.

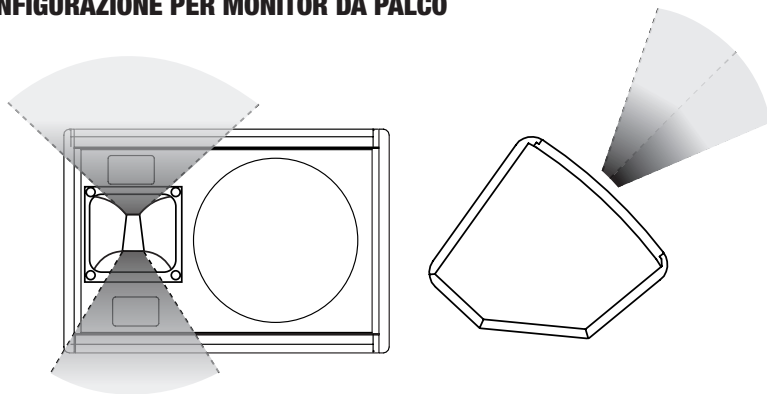
## CONFIGURAZIONE DELLA TROMBA:

Per LDEB102(A)G<sup>2</sup>, LDEB122(A)G<sup>2</sup>, LDEB152(A)G<sup>2</sup>

### CONFIGURAZIONE PER FRONT OF HOUSE



### CONFIGURAZIONE PER MONITOR DA PALCO



Nella configurazione per Front of House la piccola apertura della tromba delle alte frequenze deve essere orientata verso il basso. Per la configurazione per monitor da palco la tromba delle alte frequenze deve essere ruotata di 90 gradi, con la piccola apertura rivolta verso l'alto.

Togliere la griglia frontale e allentare le 4 viti della tromba delle alte frequenze. Ruotare la tromba delle alte frequenze di 90 gradi e stringere le 4 viti. Quindi collocare di nuovo la griglia frontale.

## INSTALLAZIONE E MONTAGGIO:

### ACCESSORI DI SOLLEVAMENTO

Si consiglia di utilizzare il Gancio Universale Hadam Hall SCP710B + SS018 per i modelli LDEB82(A)G<sup>2</sup> e LDEB102(A)G<sup>2</sup>.  
I modelli LDEB122(A)G<sup>2</sup> e LDEB152(A)G<sup>2</sup> sono dotati di 6 punti di sollevamento M8 ciascuno.  
Per installarli si consiglia di utilizzare l'occhiello a vite maschio M8 LDVSE di LD Premium.

LDEB82(A)G<sup>2</sup> i LDEB102(A)G<sup>2</sup>



**LDEB82G2B / LDEB102G2B**  
Pokrowiec ochronny



**LDEB82G2WB / LDEB102G2WB**  
Uchwyt montażowy ścienny



**SCP710B**  
Docisk hakowy z dźwignią kolankową



**SS018**  
Śruba M10, 16mm

ENGLISH

DEUTSCH

FRANCAIS

ESPAÑOL

POLSKI

ITALIANO

## AKCESORIA:

ENGLISH

LDEB82(A)G<sup>2</sup> i LDEB102(A)G<sup>2</sup>

DEUTSCH



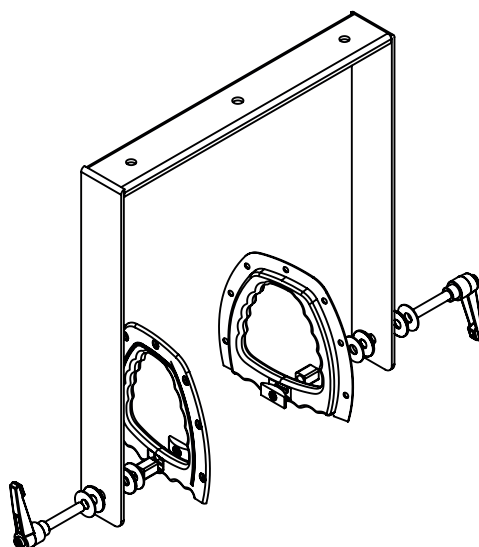
**LDEB122G2B / LDEB152G2B**  
Pokrowiec ochronny

FRANCAIS

ESPAÑOL

POLSKI

ITALIANO



**LDEB122G2SB / LDEB152G2SB**  
Uchwyt wadłowy



## AKCESORIA UNIWERSALNE:



**SMBS5**  
Płyta montażowa ścienna



**SPS023S / SPS023**  
Statyw głośnikowy



**SPS023SET**  
2 x statyw głośnikowy z  
pokrowcem

**SPS023SET2**  
2 x statyw głośnikowy z  
pokrowcem i 2 x przewody  
kolumnowe

ENGLISH

DEUTSCH

FRANCAIS

ESPAÑOL

POLSKI

ITALIANO

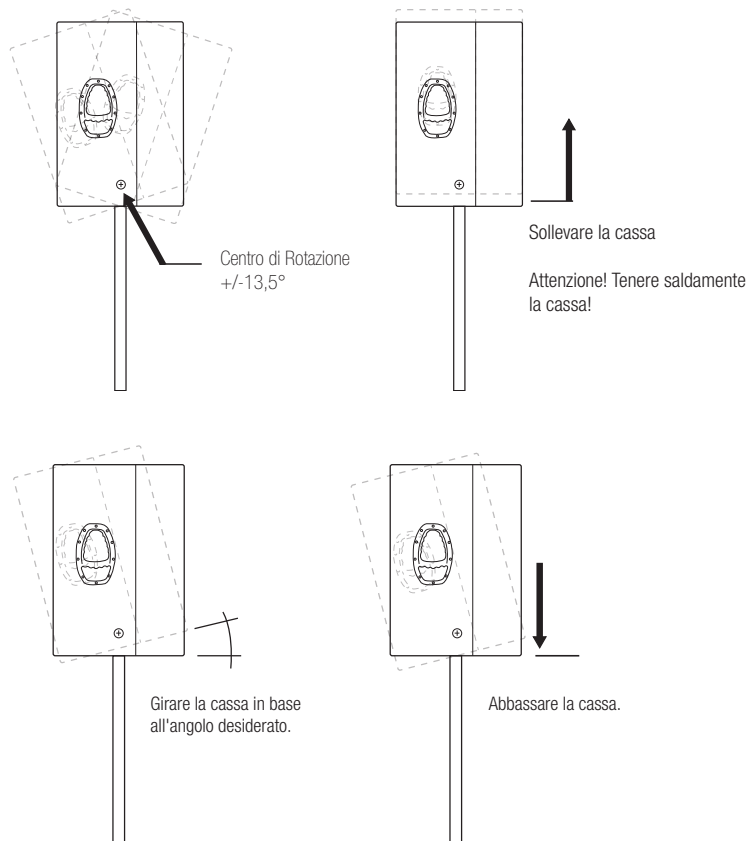
## INSTALLAZIONE E MONTAGGIO:

### REGOLAZIONE FLANGIA SUPPORTO PER CASSE SM707 (LDEB122(A)G<sup>2</sup> e LDEB152(A)G<sup>2</sup> SOLAMENTE)

La flangia di supporto per casse integrata e brevettata SM707 offre delle possibilità senza pari per la regolazione dell'angolo.

La SM707 consente di regolare angoli di  $\pm 13,5$  gradi in passi di  $4,5^\circ$ .

Sollevare leggermente e facendo attenzione la cassa dal meccanismo di blocco (circa 1/2 cm), collocare nell'angolo desiderato e riporre la cassa.



ENGLISH

DEUTSCH

FRANCAIS

ESPAÑOL

POLSKI

ITALIANO

## DICHIARAZIONI DEL PRODUTTORE:

### GARANZIA DEL PRODUTTORE

Le seguenti condizioni di garanzia si applicano ai prodotti dei marchi Adam Hall, LD Systems, LD Premium, Defender, Palmer, Cameo e Eminence.

La presente dichiarazione di garanzia non influisce sui diritti di garanzia del produttore previsti dalla legge, ma estende ulteriormente tali diritti anche nei confronti della ditta Adam Hall.

Adam Hall garantisce per un periodo di due o cinque anni dalla data di acquisto che questo prodotto Adam Hall acquistato direttamente dall'azienda o attraverso un rivenditore autorizzato, se utilizzato correttamente, è privo di difetti di materiale e manodopera.

Il periodo di garanzia ha inizio dalla data di acquisto del prodotto che, nel caso in cui si voglia usufruire della garanzia, va adeguatamente documentata tramite la presentazione dello scontrino o della bolla di consegna con la data di acquisto. Qualora, entro il periodo di garanzia, i prodotti di una delle marche sovraindicate necessitino di interventi di riparazione, l'utente ha diritto ad usufruire del servizio alle condizioni indicate nel presente documento.

Questa garanzia del produttore è valida esclusivamente per il primo proprietario del prodotto Adam Hall e non si può trasferire ad un eventuale proprietario successivo. Entro il periodo di garanzia, Adam Hall si fa carico della riparazione o della sostituzione dei componenti o degli apparecchi difettosi. Tutti i componenti o i prodotti sostituiti usufruendo della garanzia del produttore diventano di proprietà di Adam Hall.

Nel caso improbabile che il prodotto acquistato presenti ripetuti malfunzionamenti, la ditta Adam Hall è autorizzata a sostituire a propria discrezione il prodotto difettoso con un altro, a patto che il nuovo prodotto sia di uguale valore rispetto a quello vecchio per quanto riguarda le caratteristiche hardware.

Adam Hall non garantisce che il prodotto sia perfettamente funzionante e/o senza difetti. Inoltre, Adam Hall non risponde di danni derivanti dall'inosservanza delle indicazioni riportate nelle istruzioni d'uso fornite con il presente prodotto e in altra documentazione.

La garanzia del produttore non copre:

- parti soggette ad usura (es. accumulatori),
- apparecchi dai quali è stato rimosso il numero di serie o il cui numero di serie risulta illeggibile a causa di danneggiamenti causati dall'utente,
- danni derivanti da uso errato o improprio o altre cause esterne,
- danni ad apparecchi che non sono stati utilizzati secondo i parametri di funzionamento (parametri indicati nella documentazione contenuta nella confezione),
- danni derivanti dall'utilizzo di componenti non prodotti o distribuiti da Adam Hall,
- danni derivanti da interventi, modifiche o riparazioni non effettuate da Adam Hall.

Le presenti condizioni costituiscono l'accordo di garanzia completo ed esclusivo tra l'acquirente e la Adam Hall per il prodotto Adam Hall acquistato.

ENGLISH

DEUTSCH

FRANÇAIS

ESPAÑOL

POLSKI

ITALIANO

## DICHIARAZIONI DEL PRODUTTORE:

ENGLISH

### LIMITAZIONI DI RESPONSABILITÀ

Nel caso in cui, durante il periodo di garanzia, i prodotti hardware Adam Hall presentino difetti di materiale o di lavorazione (in base alla dichiarazione di garanzia precedente), il solo ed unico diritto del cliente previsto dalla presente garanzia è quello di riparazione o sostituzione dell'apparecchio. La massima responsabilità di Adam Hall è limitata, come espressamente indicato nella garanzia, al prezzo d'acquisto o ai costi per la riparazione o la sostituzione (e in questo caso per l'importo minore) dei componenti hardware difettosi in caso di uso corretto degli stessi.

Adam Hall non è responsabile per eventuali danni provocati dal prodotto o dal malfunzionamento dello stesso, compresi mancati guadagni, perdite e danni speciali indiretti o conseguenti. Inoltre Adam Hall è indenne da richieste avanzate da terzi o dal cliente in nome di terzi.

La presente limitazione di responsabilità vale indipendentemente dal fatto che i danni siano oggetto di procedimenti giudiziari o che siano oggetto di risarcimento danni ai sensi della presente garanzia o per atti illeciti (incluse negligenza e responsabilità oggettiva) o per pretese contrattuali o di altra natura, e non può essere né annullata né modificata. La presente limitazione di responsabilità è valida anche nel caso in cui l'utente abbia avvisato Adam Hall o un rappresentante autorizzato di possibili danni. Tale limitazione non è però valida in caso di richieste per risarcimento danni in relazione a danni a persone.

La garanzia del produttore permette di godere di determinati diritti. A seconda della giurisdizione competente (dello stato o della regione in cui si risiede) è possibile ottenere ulteriori diritti. Si consiglia quindi di consultare le leggi applicabili per determinare l'insieme dei diritti di cui si può godere.

### RICORSO ALLA GARANZIA

Per usufruire della garanzia rivolgersi direttamente a Adam Hall o al rivenditore autorizzato Adam Hall, dal quale è stato acquistato il prodotto.

### CORRETTO SMALTIMENTO DEL PRODOTTO ("RIFIUTI ELETTRONICI")

(Valido nei paesi dell'Unione europea e in altri paesi con sistema di smaltimento differenziato dei rifiuti)



Questo simbolo sul prodotto o sui documenti relativi ad esso sta ad indicare che l'apparecchio alla fine del suo ciclo di vita non deve essere smaltito insieme ai normali rifiuti domestici, in modo tale da evitare eventuali danni ambientali e alle persone causati da uno smaltimento incontrollato dei rifiuti. Si prega di smaltire questo prodotto separatamente da altri rifiuti e promuovere così lo sviluppo di cicli economici sostenibili con il riciclaggio.

I privati cittadini possono ricevere informazioni sulle possibilità di smaltimento sostenibile presso il venditore dal quale è stato acquistato il prodotto o presso le autorità regionali competenti. I professionisti devono invece contattare il loro fornitore di fiducia e controllare le eventuali condizioni contrattuali per lo smaltimento degli apparecchi. Questo prodotto non deve essere smaltito assieme ad altri rifiuti industriali.

DEUTSCH

FRANCAIS

ESPAÑOL

POLSKI

ITALIANO

## DICHIARAZIONE **RAEE**

Il prodotto LD Systems acquistato è stato realizzato tramite l'utilizzo di materiali e componenti di qualità che possono essere riciclati o riutilizzati. Questo simbolo indica che gli apparecchi elettronici non vanno smaltiti assieme ai normali rifiuti domestici indifferenziati. Si prega di smaltire questo apparecchio a norma di legge presso un punto di raccolta per rifiuti elettronici contribuendo così alla salvaguardia dell'ambiente.

## **BATTERIE E PILE**

Le batterie incluse nella confezione possono essere riutilizzate. Non gettare quindi le batterie nei normali rifiuti domestici, ma in contenitori appositi per la loro raccolta. Aiutate a mantenere pulito l'ambiente.

## **ECOLOGIA E RISPARMIO ENERGETICO:**

Il risparmio dell'energia elettrica aiuta a proteggere l'ambiente. Spegnerne tutti i dispositivi elettrici quando non vengono utilizzati. Per evitare il consumo di energia, scollegare tutti i dispositivi elettrici dalla corrente quando non vengono utilizzati.

Adam Hall GmbH, tutti i diritti riservati. I dati tecnici e le caratteristiche del prodotto possono essere soggetti a modifiche. È vietata la copia, la traduzione e qualsiasi altra riproduzione delle presenti istruzioni d'uso o di parte di esse senza previa autorizzazione.

ENGLISH

DEUTSCH

FRANCAIS

ESPAÑOL

POLSKI

ITALIANO



[WWW.LD-SYSTEMS.COM](http://WWW.LD-SYSTEMS.COM)

**Adam Hall GmbH** | Daimlerstrasse 9 | 61267 Neu-Anspach | Germany  
Tel. +49(0)6081/9419-0 | Fax +49(0)6081/9419-1000  
web : [www.adamhall.com](http://www.adamhall.com) | e-mail : [mail@adamhall.com](mailto:mail@adamhall.com)

